



38

OWNER'S GUIDE

TABLE OF CONTENTS

ENGLISH	3
FRANÇAIS	18
ITALIANO	33
DEUTSCH	48
ESPAÑOL	63
PORTUGUÊS	78
中文	93

CONGRATULATIONS!

Thank you for choosing a FOX suspension product for your bicycle. FOX suspension products are designed and tested by the finest professionals in the industry, in Santa Cruz County, California, USA.

Follow the guidelines and instructions provided in this owner's guide, so that you are able to properly set up, use, and maintain your new FOX product.

More information and videos are available at <http://www.ridefox.com/OwnersManuals>, or call FOX US at 1.800.369.7469, email mtbservice@ridefox.com, or contact an Authorized International FOX Service Center at <http://www.ridefox.com/GlobalDistributors>. If access to the Internet is not available to you, contact FOX to order a paper copy of the online FOX owner's manual for your product, free of charge.

WARNING AND SAFETY INFORMATION

FOX products should be installed by a professional bicycle service technician, in accordance with FOX installation specifications. Improperly installed forks can fail, causing the rider to lose control resulting in SEVERE INJURY OR DEATH.

Modification or alteration of a FOX product can cause product failure resulting in SEVERE INJURY OR DEATH. Never modify or alter ANY part of a FOX product (including coil springs, lower leg cross brace, crown, steerer, upper tubes, lower leg, air can, seat post, air volume spacers, internals, axle slit shims, axle adapters, or any other parts).

FOX bicycle suspension products may also be used on Class 1 (USA Designation) and L1e-A (EU designation) electric bicycles.

FOX E-BIKE+ suspension products may be used on Class 3 (USA designation) and L1e-B (EU designation) electric bicycles.

DO NOT use any FOX bicycle suspension products on any pedal-assisted motorized cycle or motorized vehicle that exceeds a max assisted speed of 32 km/h (20 mph) or a max system weight of 140 Kg (308 lb).

DO NOT use any FOX E-BIKE+ suspension products on any pedal-assisted motorized cycle or motorized vehicle that exceeds a max assisted speed of 45 km/h (28 mph) or a max system weight of 169 Kg (372 lb). DO NOT use any FOX bicycle suspension product on any throttle-equipped motorized vehicle.

Misuse of FOX suspension products may cause the suspension to fail, resulting in property damage or SERIOUS INJURY OR DEATH, and void the warranty.

DO NOT use FOX bicycle suspension products on any vehicle carrying more than one operator or rider, such as a tandem bicycle or heavy utility bicycle.

Do not remove or replace the steerer tube. This could result in the loss of control of the bicycle and SEVERE INJURY OR DEATH.

Never attempt to remove or replace the steerer or upper tubes independently from the crown. Modifying the integrated crown, steerer, or upper tubes can cause an assembly failure, resulting in a loss of control of the bicycle and SEVERE INJURY OR DEATH.

Do not cut the steerer more than three (3) mm below the uppermost installed part. If the steerer length is mistakenly cut too short, the crown/steerer/upper tube assembly MUST BE REPLACED! Using a fork with clamped steerer engagement that is too short can lead to sudden fork failure, which can cause loss of control of the bicycle resulting in SEVERE INJURY OR DEATH.

If the steerer tube has any nicks or gouges that can be felt with your fingernail, the crown/steerer tube assembly must be replaced. A nick or gouge can cause the steerer tube to fail, resulting in a loss of control of the bicycle and SEVERE INJURY OR DEATH.

 **WARNING AND SAFETY INFORMATION**

Never attempt to cut threads into the threadless steerers of FOX forks. Cutting threads into a threadless steerer can cause the steerer tube to fail, resulting in a loss of control of the bicycle and SEVERE INJURY OR DEATH.

Never use more than 30 mm of height of steerer stem spacers under the steerer stem, as this condition can cause the steerer tube to fail, causing a loss of control resulting in SEVERE INJURY OR DEATH.

Never allow things such as cable or cable housing to come in contact with the steer tube of a fork. If your bike has internal cable and cable housing routing, please consult your bicycle manufacturer's owner's guide for safety instructions. Cable and/or cable housing that comes in contact with a steer tube can cause the steerer tube to fail, resulting in a loss of control of the bicycle and SEVERE INJURY OR DEATH.

Cable housing contacting the fork crown will cause abrasion damage to the crown over time. If contact is unavoidable, use vinyl tape or similar protection to cover the point of contact. The FOX warranty does not cover abrasion damage to the FOX fork crown.

Improper service, or use of non-FOX replacement parts with FOX forks and shocks may cause the product to malfunction, resulting in SEVERE INJURY OR DEATH.

As dirt and debris can accumulate between the fork axle openings, always check and clean these areas before installing the wheel. Improper hub and axle installation can result in SEVERE INJURY OR DEATH.

Never use a power washer to clean your FOX product.

If your fork loses oil, tops or bottoms out excessively, or makes unusual noises, do not ride the fork and immediately contact FOX or an Authorized FOX Service Center for an inspection or repair service.

Follow your brake manufacturer's installation instructions for proper installation and adjustment of the brake system. Failure to properly install and adjust your brakes can lead to a loss of control of the bicycle, which can result in SEVERE INJURY OR DEATH.

Your fork or shock may fail under conditions that cause bending and/or breaking to any part of the fork or shock. Any condition that causes a loss of air and/or oil, such as a collision or extended periods of non-use, may also cause your fork or shock to fail. A damaged and/or leaking fork or shock can fail, resulting in a crash and SEVERE INJURY OR DEATH. If you suspect your fork or shock has been damaged, stop riding immediately and contact FOX for inspection and repair.

A fork-mounted carrier may cause damage to the fork legs and/or dropouts, especially in cases where the fork is side-loaded and/or when the rear wheel is not secured in the carrier. Damaged fork legs and/or dropouts can fail, resulting in a crash and SEVERE INJURY OR DEATH. If you suspect your fork has been damaged, contact FOX for inspection and repair.

FORK INSTALLATION

1. Remove the existing fork from the bicycle. Remove the crown race from the old fork. Measure the steerer tube length of the old fork and transfer this measurement to your new FOX fork's steerer tube. If you don't have an existing fork, measure the headset stack height (headset parts and frame head tube) and refer to your stem manufacturer's instructions to be sure there will be enough clamping surface for the stem.
2. Mark the steerer tube and cut it to the proper length.

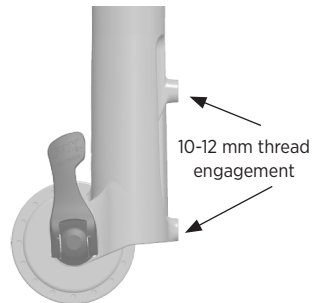
WARNING

Prior to any cutting, consult your headset and stem manufacturer's instructions to ensure that you have enough steerer tube length for clamping the steerer and stem. Improper installation can lead to a separation of the stem from the steerer, resulting in a loss of control of the bicycle and SEVERE INJURY OR DEATH.

3. Install the headset. Always use a new threadless headset and follow the headset manufacturer's instructions.
4. Install a 39.8 mm crown race for 1 1/2 in. steerer tubes. Use a crown race setter to install the crown race firmly against the top of the crown.
5. Use a star-fangled nut installation tool to install the star nut 4-10 mm below the top of the steer tube.
6. Install the fork onto the bicycle. Install the headset bearing parts and stem in accordance with the headset manufacturer's instructions, and adjust the headset preload accordingly until you feel no excessive play or bearing drag. Tighten the stem clamping bolts to the stem manufacturer's torque specifications.
7. Install the brakes according to the brake manufacturer's instructions. Maximum rotor size is 230 mm.

WARNING

The disc brake caliper mounting bolts must have 10-12 mm of thread engagement with the fork. Use a torque wrench to tighten the caliper mounting bolts to the disc brake manufacturer's specification, but do not exceed 10.2 N·m (90 in-lb). Improper installation can lead to brake failure, resulting in a loss of control of the bicycle and SEVERE INJURY OR DEATH.



8. Route the front disc brake hose or cable housing to the inside of the lower leg, and through the supplied disc brake housing guide. Use a torque wrench to tighten the disc brake hose guide screw to 0.9 N·m (8 in-lb).

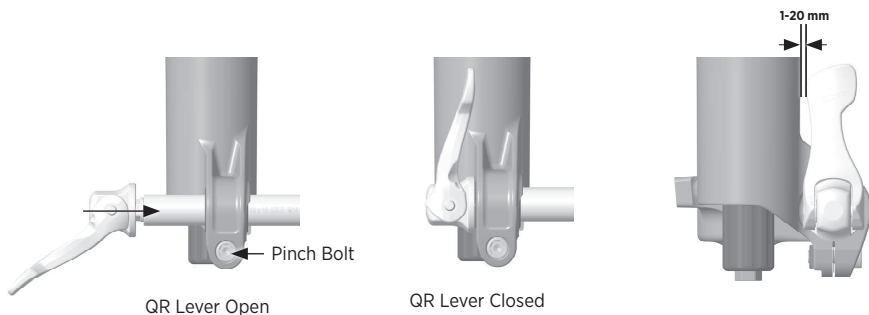
⚠ WARNING

Use hand pressure only. Never use any tool to tighten the quick release lever. Over-tightening the levers can damage the axle or fork dropouts, leading to a sudden failure with one or more of these components, resulting in SEVERE INJURY OR DEATH. Failure to secure the axle properly can cause the wheel to become detached from the bicycle, resulting in SEVERE INJURY OR DEATH.

15 MM QUICK RELEASE INSTALLATION

1. Loosen the pinch bolt, then install the front wheel into the fork dropouts. Slide the axle through the drive side dropout and hub.
2. Open the axle lever and pinch bolt.
3. Turn the axle clockwise 5-6 complete turns into the axle nut.
4. Close the lever. The lever must have enough tension to leave an imprint on your hand. The closed lever position must be between 1-20 mm in front of the fork leg.
5. The closed lever position must be between 1-20 mm in front of the fork leg.
6. If the lever does not have enough tension, or has too much tension when closed at the recommended position (1-20 mm in front of the fork), see the next section for adjustment instructions.
7. Compress the fork a couple of times to ensure that the lower leg has settled into its low-friction point.
8. Tighten the pinch bolt on the drive side dropout to 5.1 N-m (45 in-lb) torque.

IMPORTANT: You will only need to tighten the pinch bolt during your first wheel installation. After tightening the pinch bolt, you may remove the QR axle and replace it without loosening or retightening the pinch bolt. If you are changing wheels or hubs, it is likely that the pinch bolt will need to be adjusted by following these installation instructions starting at step 1.

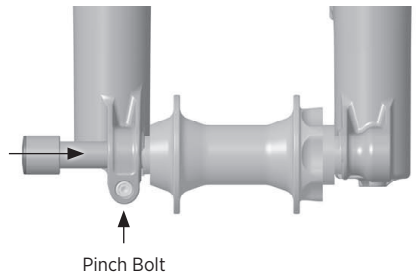


ADJUST THE QUICK RELEASE

1. Note which direction the axle lever needs to turn to achieve proper orientation.
2. Open the axle lever in the fork.
3. While holding the QR lever open and stationary so it cannot rotate, use a 4 mm hex wrench in the center of the end of the axle to adjust the lever position. With the 4 mm adjuster set properly, you should start to feel tension in the axle when the QR lever is 90 degrees before full closure in the vertical position.
4. Repeat the axle installation instructions to verify proper installation and adjustment.

KABOLT^X INSTALLATION

1. Loosen the pinch bolt, then install the front wheel into the fork dropouts. Slide the Kabolt^X axle through the drive side dropout and hub.
2. Use a 6 mm hex wrench to torque the Kabolt^X axle clockwise to the torque specification that is etched on the head of the Kabolt.
3. Compress the fork a couple of times to ensure that the lower leg has settled into its low-friction point.
4. Tighten the pinch bolt on the drive side dropout to 5.1 N-m (45 in-lb) torque.



TIRE CLEARANCE TEST

⚠ WARNING

If a fender or mud guard is to be used, it should be installed while performing the tire clearance test.

1. Release all air pressure from the fork by depressing the Schrader valve.

⚠ WARNING

FOX forks may contain high air pressures. Release ALL air pressure from the main air chamber before disassembly. Failure to do so may result in parts or fluids ejecting from the fork, which can cause SEVERE INJURY OR DEATH.

2. Compress the fork completely.
3. Measure the distance from the edges of the inflated tire to the fender/mud guard, crown, fork brace, and steerer. There must be AT LEAST 8.5 mm of clearance around the entire tire.

⚠ WARNING

Failure to leave at least 8.5 mm of clearance between the edges of the inflated tire and the fender/mud guard, crown, fork brace, and steerer may cause the tire to jam against the crown when the fork is fully compressed, which can result in SEVERE INJURY OR DEATH.

4. Add air pressure to your desired setting using a FOX high-pressure pump. Set the sag according to instructions online at www.ridefox.com.
5. You must repeat this test EVERY time you change tires or rims.

⚠ WARNING

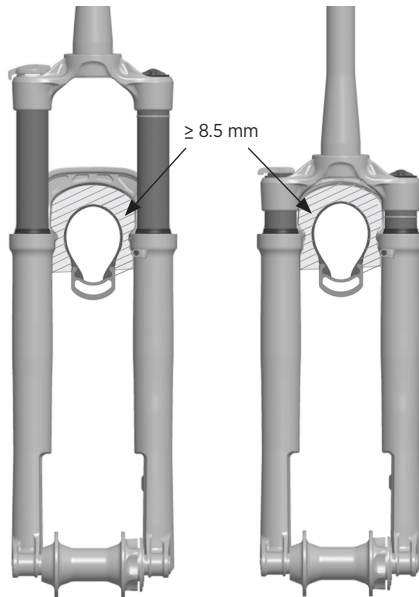
Do not exceed maximum air pressure:

38 FLOAT maximum air pressure is 120 psi.

Minimum air pressure is:

40 psi for all 38 FLOAT forks.

Pressure measured at an ambient temperature of 70-75 °F. Normal operating temperature range for FOX products is 20-140 °F.



AIR SPRING VOLUME SPACERS

Changing volume spacers in FOX 38 FLOAT forks is an easy internal adjustment that allows you to change the amount of mid stroke and bottom out resistance. If you have set your sag correctly and are using full travel (bottoming out) too easily, then you could install one or more spacers to increase bottom out resistance. If you are not using full travel, then you could remove one or more spacers to decrease bottom out resistance.

1. Remove the air cap.
2. Release all air pressure from the fork by depressing the Schrader valve.

 **WARNING**

FOX forks may contain high air pressures. Release ALL air pressure from the main air chamber before disassembly. Failure to do so may result in parts or fluids ejecting from the fork, which can cause SEVERE INJURY OR DEATH.

3. Carefully unthread the topcap from the fork with a six-point chamfer-less 32 mm socket.
4. Pull up to remove the topcap assembly from the fork crown.
5. Slide the air volume spacer or spacers horizontally to install or remove them from the topcap.

 **WARNING**

Do not exceed the maximum number of volume spacers for your fork. This can damage your fork. Find volume spacer information online at www.ridefox.com.

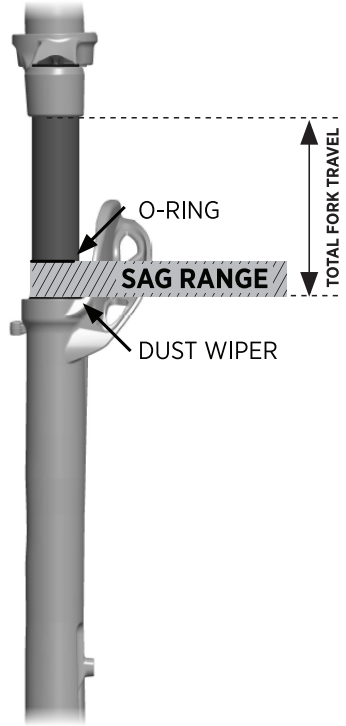
6. Reinstall the topcap assembly into the fork crown and tighten to 24.8 N-m (220 in-lb) with a six-point chamfer-less 32 mm socket.
7. Add air pressure to your desired setting using a FOX high-pressure pump. Set the sag according to instructions online at www.ridefox.com.

SAG SETTING

To achieve the best performance from your FOX suspension, adjust the air pressure to attain your proper sag setting. Sag is the amount your suspension compresses under your weight and riding gear. Sag range should be set to 15–20% of total fork travel.

Make sure to set sag with the compression lever in the OPEN mode.

Watch the sag setup video at ridefox.com/sagsetup



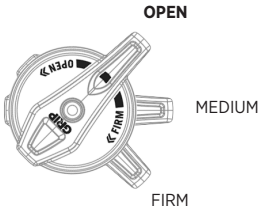
Suggested Sag Measurements		
Travel	15% sag (Firm)	20% sag (Plush)
150 mm (5.5 in)	22 mm (0.9 in)	30 mm (1.2 in)
160 mm (5.9 in)	24 mm (1.0 in)	32 mm (1.3 in)
170 mm (6.7 in)	26 mm (1.0 in)	34 mm (1.3 in)
180 mm (7.0 in)	27 mm (1.0 in)	36 mm (1.4 in)

! Do not exceed maximum air pressure:
38 FLOAT maximum air pressure is **120 psi**.

Suggested Starting Points for Setting Sag	
Rider Weight	38 FLOAT/E-Bike+ Pressure
120-130 lb (54-59 kg)	72 psi (5.0 bar)
130-140 lb (59-64 kg)	76 psi (5.2 bar)
140-150 lb (64-68 kg)	80 psi (5.5 bar)
150-160 lb (68-73 kg)	84 psi (5.8 bar)
160-170 lb (73-77 kg)	89 psi (6.1 bar)
170-180 lb (77-82 kg)	93 psi (6.4 bar)
180-190 lb (82-86 kg)	97 psi (6.7 bar)
190-200 lb (86-91 kg)	102 psi (7.0 bar)
200-210 lb (91-95 kg)	106 psi (7.3 bar)
210-220 lb (95-100 kg)	110 psi (7.6 bar)
220-230 lb (100-104 kg)	114 psi (7.9 bar)
230-240 lb (104-109 kg)	119 psi (8.2 bar)
240-250 lb (109-113 kg)	123 psi (8.5 bar)

COMPRESSION ADJUSTMENT

GRIP COMPRESSION ADJUST



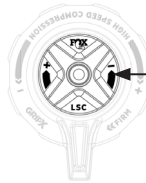
The **3-Position Micro Adjust** lever is useful to make on-the-fly adjustments to control fork performance. Use the positions between the OPEN, MEDIUM, and FIRM modes to fine-tune your compression damping.

GRIP X COMPRESSION ADJUST

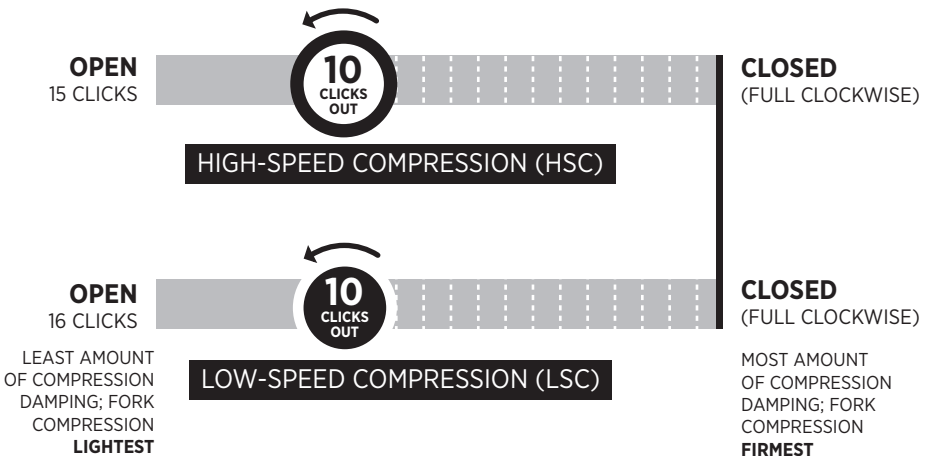
Use this diagram as a starting point for your compression adjusters. **Turn your compression adjusters to the closed position (full clockwise) until they stop. Then back them out (counterclockwise) to the number of clicks shown below.**



High-speed compression adjustment is useful to control fork performance during bigger hits, landings, and square-edged bumps.



Low-speed compression adjustment is useful to control fork performance during rider weight shifts, G-outs, and other slow inputs.



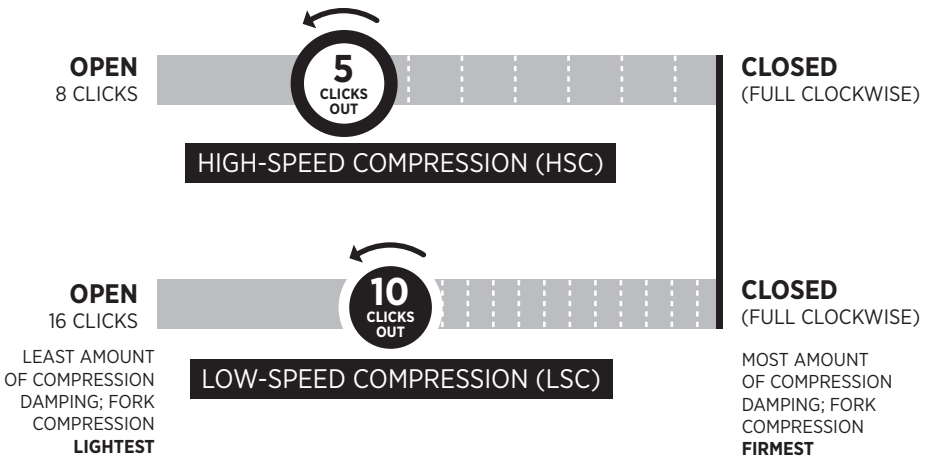
GRIP X2 COMPRESSION ADJUST

Use this diagram as a starting point for your compression adjusters. **Turn your compression adjusters to the closed position (full clockwise) until they stop. Then back them out (counterclockwise) to the number of clicks shown below.**



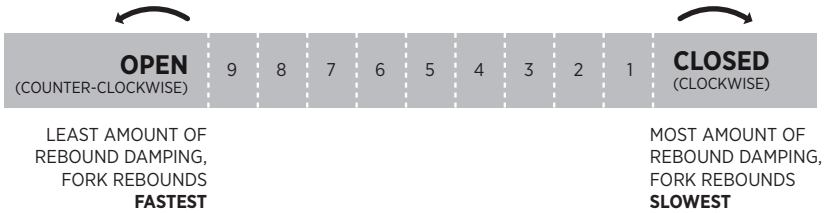
High-speed compression adjustment is useful to control fork performance during bigger hits, landings, and square-edged bumps.

Low-speed compression adjustment is useful to control fork performance during rider weight shifts, G-outs, and other slow inputs.



REBOUND ADJUSTMENT

Rebound controls the rate of speed at which the fork extends after compressing. The rebound adjustment is dependent on the air pressure setting. For example, higher air pressures require slower rebound settings. Use your air pressure to find your rebound setting. The rebound adjuster is located underneath the damper-side fork leg.

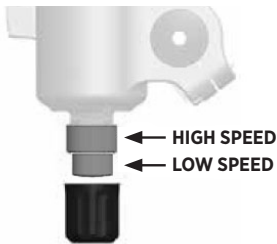


GRIP/GRIP X REBOUND



Turn your rebound knob to the closed position, clockwise until it stops. Then turn it counter-clockwise to the number of clicks shown in the table on the next page.

GRIP X2 REBOUND



Turn your rebound knob to the closed position, clockwise until it stops. Then turn it counter-clockwise to the number of clicks shown in the table on the next page.

High-speed rebound adjustment is useful to control fork performance during bigger hits, landings, and square-edged bumps.

Low-speed rebound adjustment is useful to control fork performance during rider weight shifts, G-outs, and other slow inputs.

Suggested Starting Points for Rebound

Pressure	Rebound Setting			
38 FLOAT/ E-Bike+	38 GRIP	38 GRIP X	38 GRIP X2 LSR	38 GRIP X2 HSR
72 psi (5.0 bar)	13	16	9	8
76 psi (5.2 bar)	12	14	8	7
80 psi (5.5 bar)	11	12	7	7
84 psi (5.8 bar)	10	10	7	6
89 psi (6.1 bar)	9	9	7	6
93 psi (6.4 bar)	8	8	7	5
97 psi (6.7 bar)	7	7	6	4
102 psi (7.0 bar)	6	6	5	4
106 psi (7.3 bar)	5	5	4	3
110 psi (7.6 bar)	4	4	3	2
114 psi (7.9 bar)	3	3	3	1
119 psi (8.2 bar)	2	2	2	0
123 psi (8.5 bar)	1	1	1	0

ADDITIONAL TUNING OPTIONS

CLIP-ON VOLUME SPACERS

Changing volume spacers in the 38 FLOAT forks is an easy internal adjustment that allows you to change the amount of mid stroke and bottom out resistance.

If you have set your sag correctly and are using full travel (bottoming out) too easily, then you could install one or more spacers to increase bottom out resistance.

If you have set your sag correctly and are not using full travel, then you could remove the spacer to decrease bottom out resistance.

Installation procedure and tuning options are available online at: ridefox.com/ownersmanuals

38 FLOAT Volume Spacer Configurations		
Travel	Volume Spacers Factory Installed	*Max Volume Spacers
180 mm	1	4
170 mm	2	5
160 mm	3	6
150 mm	4	6

38 FLOAT E-Bike+ Volume Spacer Configurations		
Travel	Volume Spacers Factory Installed	*Max Volume Spacers
180 mm	2	4
170 mm	3	5
160 mm	4	6
150 mm	5	6

SERVICE

Properly cleaning your FOX product between rides, in addition to maintenance service scheduled at regular intervals, will help to reduce repair costs and extend product life.

For further service procedures information, visit www.ridefox.com/OwnersManuals, or contact FOX for complete maintenance service (1.800.369.7469 or mtbservice@ridefox.com).

Minimum Recommended Service Items	Before every ride	After every ride	Regularly	Every 125 hours or yearly, whichever comes first*
Inspect the entire exterior of your fork/shock. The fork/shock should not be used if any of the exterior parts appear to be damaged. Contact your local dealer or FOX for repair.	X			
Check that quick-release levers and axles are properly adjusted and tightened.	X			
Check your headset adjustment. If loose, adjust it accordingly to your bicycle manufacturer's recommendations.	X			
Check that all brake cables or hoses are properly fastened. Test the proper operation of your front and rear brakes on level ground.	X			
Clean exterior with mild soap and water only, then wipe dry with a soft towel. Do not use a high-pressure washer or spray water directly at the seal/shock body junction.		X		
Check sag and damper settings. Inspect the controls for visual damage and function.			X	
Full service (full internal/external inspection, damper rebuild, air seal replacement for air shocks, air spring rebuild, bath oil and wiper replacement).				X

*For those who ride lift-accessed DH, Park, or Extreme Freeride or in extremely wet/muddy or dry/dusty environmental conditions where trail debris is sprayed onto the fork while on the trail, FOX encourages riders to perform maintenance earlier than recommended above as needed. If you hear, see, or feel something unusual, stop riding immediately and contact a FOX Authorized Service Center for proper servicing.

SEE ADDITIONAL INFORMATION AND VIDEOS:

ridefox.com

Fox Factory, Inc., a California corporation having offices at 915 Disc Dr, Scotts Valley, CA 95066 ("Fox"), makes the following LIMITED WARRANTY with respect to its suspension products:

FOX LIMITED WARRANTY

LIMITED ONE (1) YEAR WARRANTY ON SUSPENSION PRODUCTS

Subject to the limitations, terms and conditions hereof, Fox warrants, to the original retail owner (consumer) of each new Fox suspension product, that the Fox suspension product, when new, is free from defects in materials and workmanship. This limited warranty expires one (1) year from the date of the original Fox suspension product retail purchase from an authorized Fox dealer or from a Fox authorized Original Equipment Manufacturer where Fox suspension is included as original equipment on a purchased vehicle.

TERMS OF WARRANTY

This limited warranty is conditioned on the Fox suspension product being operated under normal conditions and properly maintained as specified by Fox. This limited warranty is only applicable to Fox suspension purchased new from an authorized Fox source and is made only to the original retail owner (consumer) of the new Fox suspension product and is not transferable to subsequent owners.

Should it be determined, by Fox in its sole and final discretion, that a Fox suspension product is covered by this limited warranty, it will be repaired or replaced, by a comparable model, at Fox's sole option, which will be conclusive and binding. THIS IS THE EXCLUSIVE REMEDY UNDER THIS LIMITED WARRANTY. ANY AND ALL OTHER REMEDIES AND DAMAGES THAT MAY OTHERWISE BE APPLICABLE UNDER THIS LIMITED WARRANTY ARE EXCLUDED, INCLUDING, BUT NOT LIMITED TO, INCIDENTAL OR CONSEQUENTIAL DAMAGES OR PUNITIVE DAMAGES.

This limited warranty does not apply to normal wear and tear, malfunctions or failures that result from abuse, neglect, improper assembly, alteration or modification, improper or unauthorized repair or maintenance, crash, accident or collision, or other abnormal, excessive or improper use.

This limited warranty gives the consumer specific legal rights. The consumer may also have other legal rights under the applicable national laws which are not affected by this limited warranty. If it is determined by a court of competent jurisdiction that a certain provision of this limited warranty does not apply, such determination shall not affect any other provision of this limited warranty and all other provisions shall remain in effect.

THIS IS THE ONLY WARRANTY MADE BY FOX ON ITS SUSPENSION PRODUCTS AND COMPONENTS, AND THERE ARE NO WARRANTIES WHICH EXTEND BEYOND THE DESCRIPTION HEREIN. ANY WARRANTIES THAT MAY OTHERWISE BE IMPLIED BY LAW INCLUDING, BUT NOT LIMITED TO, ANY IMPLIED WARRANTY OF MERCHANTABILITY OR FITNESS FOR A PARTICULAR PURPOSE ARE EXCLUDED.

This limited warranty shall be governed exclusively by the laws of the State of California.

When making a claim under this Limited Warranty you will be required to provide to an authorized FOX Service Center:

1. The Product (or the affected part) and
2. A copy of the original proof of purchase, which clearly indicates the name and address of the seller, the date and place of purchase, the product part number and if utilized, a serial number. If FOX products are sold as part of a complete bicycle, the bicycle brand, model, model year, and serial number should be included.

FÉLICITATIONS !

Nous vous remercions d'avoir choisi un produit de suspension FOX pour votre vélo. Les produits de suspension FOX sont conçus et testés par les professionnels les plus compétents du secteur dans le comté de Santa Cruz en Californie (USA).

Suivez les conseils et instructions fournis dans ce guide de l'utilisateur afin d'apprendre à régler, utiliser et entretenir correctement votre nouveau produit FOX.

Vous pouvez consulter les informations et visionner les vidéos disponibles sur <http://www.ridefox.com/OwnersManuals>, contacter FOX USA par téléphone au +1 800 369 7469 ou par e-mail à l'adresse mtbservice@ridefox.com ou bien contacter un centre d'entretien agréé FOX International à l'adresse <http://www.ridefox.com/GlobalDistributors>. Si vous ne disposez pas d'un accès à Internet, contactez FOX pour demander gratuitement une version papier du manuel de l'utilisateur FOX correspondant à votre produit.

AVERTISSEMENT ET CONSIGNES DE SÉCURITÉ

Les produits FOX doivent être installés par un mécanicien vélo professionnel conformément aux instructions d'installation de FOX. Une fourche installée de manière inappropriée peut connaître une défaillance et entraîner la perte de contrôle du vélo ainsi que des BLESSURES GRAVES VOIRE MORTELLES.

Toute modification ou altération d'un produit FOX peut provoquer sa défaillance et entraîner des BLESSURES GRAVES VOIRE MORTELLES. Ne tentez jamais de modifier ou d'altérer UNE pièce d'un produit FOX (comme les ressorts hélicoïdaux, l'arceau des fourreaux, le té de la fourche, le tube pivot, les plongeurs, les fourreaux, la cartouche pneumatique, la tige de selle, les entretoises de volume pneumatique, les pièces internes, les cales fendues pour axe, les adaptateurs pour axe ou toute autre pièce).

Les produits de suspension pour vélo FOX peuvent également être utilisés sur les vélos électriques de classe 1 (classification américaine) et L1e-A (classification européenne).

Les produits de suspension FOX E-BIKE+ peuvent être utilisés sur les vélos électriques de classe 3 (classification américaine) et L1e-B (classification européenne).

N'utilisez JAMAIS les produits de suspension pour vélo FOX sur des cycles équipés d'une assistance motorisée au pédalage ou sur des véhicules motorisés dont la vitesse maximale dépasse les 32 km/h (20 mph) ou dont le poids total maximal dépasse les 140 kg (308 lb).

N'utilisez JAMAIS les produits de suspension FOX E-BIKE+ sur des cycles équipés d'une assistance motorisée au pédalage ou sur des véhicules motorisés dont la vitesse maximale dépasse les 45 km/h (28 mph) ou dont le poids total maximal dépasse les 169 kg (372 lb). N'utilisez JAMAIS les produits de suspension pour vélo FOX sur des véhicules motorisés équipés d'un accélérateur.

Le fait d'utiliser les produits de suspension FOX de manière inappropriée peut entraîner une défaillance de la suspension, des dommages matériels ainsi que des BLESSURES GRAVES VOIRE MORTELLES et révoquera également la garantie.

N'utilisez JAMAIS les produits de suspension pour vélo FOX sur un véhicule permettant de transporter plus d'une personne, comme par exemple des tandems ou des vélos utilitaires.

Le tube pivot ne doit être ni retiré ni remplacé. Ceci pourrait entraîner la perte de contrôle du vélo ainsi que des BLESSURES GRAVES VOIRE MORTELLES.

Ne tentez jamais de retirer ou de remplacer le pivot de fourche ou les plongeurs indépendamment du té de la fourche. Toute modification du té intégré, du pivot de fourche ou des plongeurs peut entraîner une défaillance de l'ensemble, la perte de contrôle du vélo ainsi que des BLESSURES GRAVES VOIRE MORTELLES.

Ne coupez pas le pivot de fourche à plus de trois (3) mm en dessous de la pièce la plus haute. Si le pivot de fourche a été coupé trop court par erreur, l'ensemble té/pivot de fourche/plongeurs DOIT ÊTRE REMPLACÉ ! L'utilisation d'une fourche dont le pivot de fourche est insuffisamment engagé peut entraîner la défaillance soudaine de la fourche, la perte de contrôle du vélo ainsi que des BLESSURES GRAVES VOIRE MORTELLES.

Si vous notez en y passant l'ongle des éraflures ou des entailles sur le tube pivot, alors l'ensemble té/tube pivot doit être remplacé. Une éraflure ou une entaille sur le tube pivot peut entraîner sa défaillance, la perte de contrôle du vélo ainsi que des BLESSURES GRAVES VOIRE MORTELLES.

N'essayez jamais d'ajouter un filetage au pivot de fourche sans filetage d'une fourche FOX. Tarauder un filetage sur un pivot de fourche sans filetage peut entraîner sa défaillance, la perte de contrôle du vélo ainsi que des BLESSURES GRAVES VOIRE MORTELLES.

N'ajoutez jamais plus de 30 mm d'entretoises sur le pivot de fourche sous la potence, car cela peut entraîner une défaillance du tube pivot, la perte de contrôle du vélo ainsi que des BLESSURES GRAVES VOIRE MORTELLES.

Ne laissez jamais des objets tels qu'un câble ou une gaine de câble frotter contre le tube pivot d'une fourche. Si votre vélo présente des passages internes pour les câbles et les gaines de câbles, consultez les consignes de sécurité indiquées dans le guide de l'utilisateur fourni par le fabricant de votre vélo. Le frottement d'un câble et/ou d'une gaine de câble contre un tube pivot peut entraîner la défaillance du tube pivot, la perte de contrôle du vélo ainsi que des BLESSURES GRAVES VOIRE MORTELLES.

Une gaine de câble frottant contre le té de la fourche va progressivement endommager le té de la fourche par abrasion. Si le frottement ne peut être évité, protégez la surface du point de contact avec un ruban adhésif vinyl ou une protection similaire. La garantie FOX ne couvre pas une telle usure par abrasion des tés de fourches FOX.

Un entretien inapproprié ou l'utilisation de pièces détachées de marque autres que FOX sur les fourches et amortisseurs FOX peut entraîner un dysfonctionnement du produit ainsi que des BLESSURES GRAVES VOIRE MORTELLES.

De la poussière et des impuretés peuvent s'accumuler dans les pattes de la fourche au niveau de l'axe ; avant d'installer la roue, examinez toujours cette zone et nettoyez-la si nécessaire. Une installation inappropriée du moyeu ou de l'axe peut entraîner des BLESSURES GRAVES VOIRE MORTELLES.

Ne nettoyez jamais votre produit FOX à l'aide d'un nettoyeur à haute pression.

Si votre fourche perd de l'huile, talonne de manière excessive en compression ou en détente ou émet des bruits inhabituels, cessez immédiatement d'utiliser la fourche et contactez FOX ou un centre d'entretien agréé FOX afin de la faire inspecter ou réparer.

Pour installer et régler correctement le système de freinage, suivez les instructions d'installation du fabricant de vos freins. Une installation et des réglages inappropriés des freins peuvent entraîner la perte de contrôle du vélo ainsi que des BLESSURES GRAVES VOIRE MORTELLES.

Votre fourche ou votre amortisseur peut connaître une défaillance en cas de déformation et/ou de casse de n'importe quelle pièce de la fourche ou de l'amortisseur. Toute circonstance entraînant une fuite d'air et/ou d'huile, comme un choc ou de longues périodes d'inutilisation, peut également entraîner une défaillance de votre fourche ou de votre amortisseur. Une fourche ou un amortisseur présentant des dommages et/ou une fuite peut connaître une défaillance et entraîner une chute du cycliste ainsi que des BLESSURES GRAVES VOIRE MORTELLES. Si vous pensez que votre fourche ou votre amortisseur est endommagé, cessez immédiatement d'utiliser votre vélo et contactez FOX pour le faire inspecter et réparer.

Un porte-vélo fixé à la fourche peut endommager les fourreaux et/ou les pattes de la fourche, notamment lorsque la fourche est chargée sur le côté et/ou lorsque la roue arrière n'est pas fixée au porte-vélo. Des fourreaux et/ou des pattes de fourche endommagés peuvent connaître une défaillance et entraîner une chute du cycliste ainsi que des BLESSURES GRAVES VOIRE MORTELLES. Si vous pensez que votre fourche est endommagée, contactez FOX pour la faire inspecter et réparer.

INSTALLATION DE LA FOURCHE

1. Retirez l'ancienne fourche du vélo. Retirez la bague de té de l'ancienne fourche. Mesurez la longueur du tube pivot de l'ancienne fourche puis reportez cette mesure sur le tube pivot de votre nouvelle fourche FOX. Si vous n'avez pas de fourche à mesurer, mesurez la hauteur du jeu de direction total (l'ensemble des pièces du jeu de direction avec le tube de direction du cadre) et consultez les instructions du fabricant de votre potence pour vérifier que la surface de serrage est suffisante pour la potence.
2. Faites une marque sur le tube pivot et coupez-le à la longueur appropriée.

AVERTISSEMENT

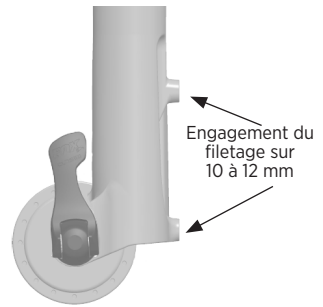
Avant de couper une pièce, consultez les instructions du fabricant de votre jeu de direction et de votre potence afin de vérifier que le tube pivot est assez long pour fixer la potence et le pivot de fourche. Une installation inappropriée peut entraîner le desserrage de la potence et du pivot de fourche, la perte de contrôle du vélo ainsi que **DES BLESSURES GRAVES VOIRE MORTELLES**.

3. Installez le jeu de direction. Utilisez toujours un jeu de direction sans filetage neuf et respectez les instructions du fabricant du jeu de direction.
4. Pour les tubes pivots de 1 1/2 po, installez une bague de té de 39,8 mm. À l'aide d'un outil de montage pour bague de té, installez parfaitement la bague du té contre le haut du té.
5. À l'aide d'un outil d'installation pour écrou en étoile, installez l'écrou en étoile de 4 à 10 mm en-dessous du haut du tube pivot.
6. Installez la fourche sur le vélo. Installez les roulements du jeu de direction et la potence conformément aux instructions du fabricant du jeu de direction puis réglez la précontrainte du jeu de direction comme indiqué jusqu'à ce qu'il n'y ait ni jeu ni frottement. Serrez les vis de la potence conformément aux couples recommandés par le fabricant de la potence.
7. Installez les freins conformément aux instructions de leur fabricant. Le disque de frein peut mesurer jusqu'à 230 mm.

AVERTISSEMENT

Le filetage des vis de fixation de l'étrier de frein à disque doit être engagé sur au moins 10 à 12 mm dans la fourche. À l'aide d'une clé dynamométrique, serrez les vis de fixation de l'étrier conformément au couple recommandé par le fabricant des freins à disque sans dépasser 10,2 N·m (90 in·lb). Une installation inappropriée peut entraîner une défaillance des freins, la perte de contrôle du vélo ainsi que **DES BLESSURES GRAVES VOIRE MORTELLES**.

8. Faites passer la gaine du câble ou la durite du frein à disque avant à l'intérieur du fourreau et faites-la passer à travers le guide de gaine fourni avec les freins à disque. À l'aide d'une clé dynamométrique, serrez la vis du guide de durite du frein à disque à un couple de 0,9 N·m (8 in·lb).



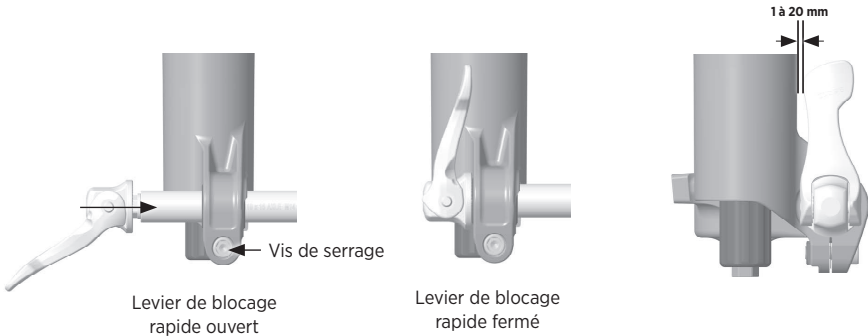
⚠ AVERTISSEMENT

Serrez uniquement à la main. N'utilisez jamais d'outil pour serrer le levier du blocage rapide. Un levier serré de manière excessive peut endommager l'axe ou les pattes de la fourche et entraîner la défaillance d'un ou de plusieurs composants ainsi que des BLESSURES GRAVES VOIRE MORTELLES. Le fait de ne pas fixer l'axe correctement peut amener la roue à se détacher du vélo, ce qui peut entraîner des BLESSURES GRAVES VOIRE MORTELLES.

INSTALLATION DU BLOCAGE RAPIDE DE 15 MM

1. Desserrez la vis de serrage, puis installez la roue avant dans les pattes de la fourche. Insérez l'axe à travers la patte et le moyeu, du côté de la chaîne.
2. Mettez le levier de l'axe avec la vis de serrage en position ouverte.
3. Tournez l'axe dans le sens des aiguilles d'une montre de 5 à 6 tours complets dans l'écrou de l'axe.
4. Fermez le levier. Le levier doit être suffisamment dur pour vous laisser une marque dans la paume de votre main.
5. Il doit y avoir un espace de 1 à 20 mm entre le levier en position fermée et l'avant du fourreau de la fourche.
6. Si le levier n'est pas suffisamment serré ou s'il est serré de manière excessive lorsque vous le mettez dans la position recommandée (de 1 à 20 mm devant la fourche), reportez-vous au chapitre suivant pour prendre connaissance des instructions de réglage.
7. Comprimez la fourche à plusieurs reprises pour vérifier que le fourreau se place bien au point de friction le plus bas.
8. Serrez la vis de serrage sur la patte du côté de la chaîne à un couple de 5,1 N·m (45 in·lb).

IMPORTANT : vous ne devez serrer la vis de serrage qu'au moment où vous installez la roue pour la première fois. Après avoir serré la vis de serrage, vous pourrez retirer l'axe du blocage rapide et le remplacer sans avoir à desserrer ou à resserrer la vis de serrage. Si vous changez vos roues ou vos moyeux, vous aurez probablement besoin de régler la vis de serrage ; suivez alors ces instructions d'installation en commençant par l'étape 1.

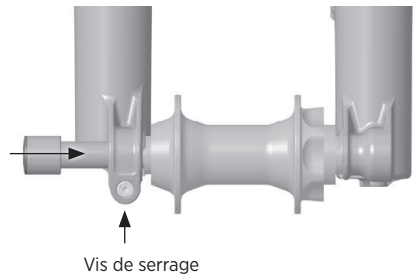


RÉGLAGE DU BLOCAGE RAPIDE

1. Repérez le sens dans lequel le levier de l'axe doit être tourné pour obtenir la bonne position.
2. Ouvrez le levier de l'axe dans la fourche.
3. Tout en maintenant fermement le levier du blocage rapide en position ouverte sans qu'il ne bouge, réglez la position du levier à l'aide d'une clé hexagonale de 4 mm placée au centre de l'extrémité de l'axe. Une fois le régleur de 4 mm correctement positionné, vous devriez commencer à ressentir de la tension dans l'axe lorsque le levier du blocage rapide est incliné à 90 degrés avant sa fermeture complète en position verticale.
4. Reprenez les instructions d'installation de l'axe afin de vérifier que le système est correctement installé et réglé.

INSTALLATION DU KABOLT^X

1. Desserrez la vis de serrage, puis installez la roue avant dans les pattes de la fourche. Insérez l'axe Kabolt^X à travers la patte et le moyeu, du côté de la chaîne.
2. À l'aide d'une clé hexagonale de 6 mm, serrez l'axe Kabolt^X dans le sens des aiguilles d'une montre à la valeur de couple gravée sur la tête du Kabolt.
3. Comprimez la fourche à plusieurs reprises pour vérifier que le fourreau se place bien au point de friction le plus bas.
4. Serrez la vis de serrage sur la patte du côté de la chaîne à un couple de 5,1 N·m (45 in·lb).



TEST DE L'ESPACE LIBRE AUTOUR DU PNEU

⚠ AVERTISSEMENT

Si un accessoire comme un garde-boue ou une bavette doit être utilisé, installez-le avant de procéder à la vérification de l'espace libre autour du pneu.

1. Évacuez toute la pression pneumatique contenue dans la fourche en appuyant sur la valve Schrader.

⚠ AVERTISSEMENT

La pression pneumatique des fourches FOX peut être élevée. Évacuez TOUTE la pression pneumatique de la chambre pneumatique principale avant le démontage. Le fait de ne pas respecter ces instructions peut entraîner l'expulsion de pièces ou de liquide hors de la fourche ainsi que des BLESSURES GRAVES VOIRE MORTELLES.

2. Comprimez la fourche totalement.
3. Mesurez la distance entre les bords du pneu gonflé et le garde-boue/la bavette, le té, l'arceau de la fourche et le pivot de fourche. Il doit y avoir un espace libre d'AU MOINS 8,5 mm tout autour du pneu.

⚠ AVERTISSEMENT

S'il n'y a pas au moins 8,5 mm d'espace libre entre les bords du pneu gonflé et le garde-boue/la bavette, le té, l'arceau de la fourche et le pivot de fourche, il se peut que le pneu vienne toucher le té lorsque la fourche est totalement comprimée, ce qui peut entraîner des BLESSURES GRAVES VOIRE MORTELLES.

4. Augmentez la pression pneumatique jusqu'à obtenir le réglage souhaité à l'aide d'une pompe haute pression FOX. Réglez le sag conformément aux instructions indiquées en ligne sur le site www.ridefox.com.
5. Vous devez procéder à cette vérification à CHAQUE fois que vous changez de pneu ou de jante.

⚠ AVERTISSEMENT

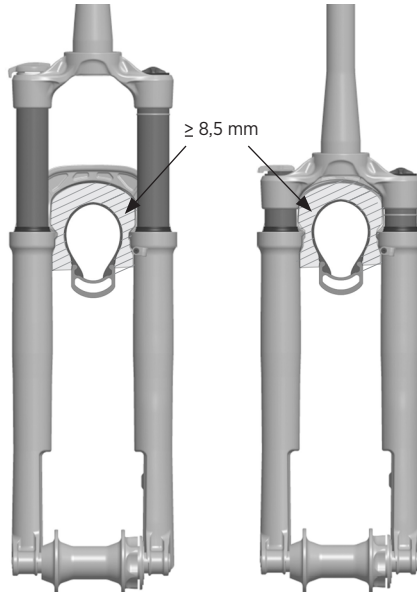
Ne dépassez jamais la pression pneumatique maximale :

la pression pneumatique maximale de la 38 FLOAT s'élève à 8,3 bar (120 psi).

La pression pneumatique minimale est de :

2,7 bar (40 psi) pour toutes les fourches 38 FLOAT.

Pression mesurée à une température ambiante comprise entre 21 et 24 °C (70 et 75 °F). La température de fonctionnement normal pour les produits FOX est comprise entre -7 et 60 °C (20 et 140 °F).



ENTRETOISES DE VOLUME DU RESSORT PNEUMATIQUE

Changer les entretoises de volume sur une fourche FOX 38 FLOAT est une manipulation interne facile à réaliser qui vous permet de modifier la course d'amortissement sur sa partie intermédiaire ainsi que la résistance au talonnage. Si vous avez réglé votre sag correctement mais que vous utilisez trop facilement tout le débattement disponible (talonnage), alors vous pouvez installer une ou plusieurs entretoises pour augmenter la résistance au talonnage. Si vous n'utilisez pas tout le débattement disponible, alors vous pouvez retirer une ou plusieurs entretoises pour diminuer la résistance au talonnage.

1. Retirez le capuchon pneumatique.
2. Évacuez toute la pression pneumatique contenue dans la fourche en appuyant sur la valve Schrader.

AVERTISSEMENT

La pression pneumatique des fourches FOX peut être élevée. Évacuez TOUTE la pression pneumatique de la chambre pneumatique principale avant le démontage. Le fait de ne pas respecter ces instructions peut entraîner l'expulsion de pièces ou de liquide hors de la fourche ainsi que des BLESSURES GRAVES VOIRE MORTELLES.

3. Dévissez délicatement le capuchon supérieur de la fourche à l'aide d'une douille à 6 pans sans chanfrein de 32 mm.
4. Tirez sur l'ensemble du capuchon supérieur afin de le retirer du té de la fourche.
5. Faites coulisser la ou les entretoises de volume pneumatique à l'horizontale afin de les installer ou de les retirer du capuchon supérieur.

AVERTISSEMENT

Ne dépassez pas le nombre maximal d'entretoises de volume recommandé pour votre fourche. Cela pourrait endommager votre fourche. Vous trouverez des informations concernant les entretoises de volume sur le site www.ridefox.com.

6. Réinstallez l'unité du capuchon supérieur dans le té de la fourche puis, à l'aide d'une douille à 6 pans sans chanfrein de 32 mm, serrez-la à un couple de 24,8 N·m (220 in·lb).
7. Augmentez la pression pneumatique jusqu'à obtenir le réglage souhaité à l'aide d'une pompe haute pression FOX. Réglez le sag conformément aux instructions indiquées en ligne sur le site www.ridefox.com.

RÉGLAGE DU SAG

Afin de profiter des meilleures performances de votre suspension FOX, réglez la pression pneumatique pour obtenir le réglage du sag qui vous convient. Le sag est le pourcentage de compression de la suspension sous le poids du cycliste et de son équipement. Le sag doit être compris entre 15 et 20 % **du débattement total de la fourche**.

Avant de régler le sag, vérifiez que le levier de la compression est en mode OPEN.

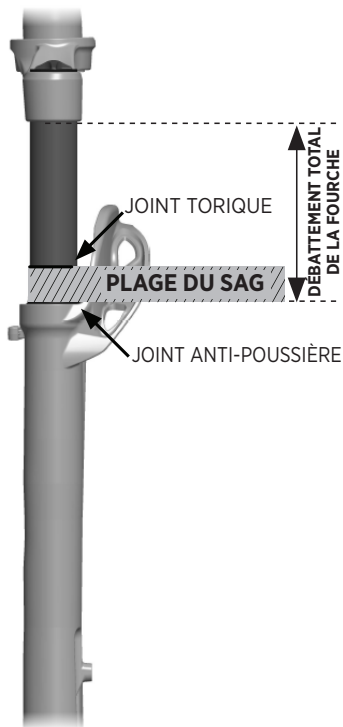
Une vidéo sur le réglage du sag est disponible sur le site ridefox.com/sagsetup

Mesures du sag conseillées		
Débattement	Sag de 15 % (ferme)	Sag de 20 % (souple)
150 mm (5,5 po)	22 mm (0,9 po)	30 mm (1,2 po)
160 mm (5,9 po)	24 mm (1,0 po)	32 mm (1,3 po)
170 mm (6,7 po)	26 mm (1,0 po)	34 mm (1,3 po)
180 mm (7,0 po)	27 mm (1,0 po)	36 mm (1,4 po)



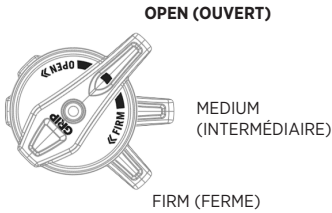
Ne dépassez jamais la pression pneumatique maximale : la pression pneumatique maximale de la **38 FLOAT** s'élève **8,3 bar (120 psi)**.

Points de départ conseillés pour le réglage du sag	
Poids du cycliste	Pression de la 38 FLOAT/E-Bike+
54-59 kg (120-130 lb)	5,0 bar (72 psi)
59-64 kg (130-140 lb)	5,2 bar (76 psi)
64-68 kg (140-150 lb)	5,5 bar (80 psi)
68-73 kg (150-160 lb)	5,8 bar (84 psi)
73-77 kg (160-170 lb)	6,1 bar (89 psi)
77-82 kg (170-180 lb)	6,4 bar (93 psi)
82-86 kg (180-190 lb)	6,7 bar (97 psi)
86-91 kg (190-200 lb)	7,0 bar (102 psi)
91-95 kg (200-210 lb)	7,3 bar (106 psi)
95-100 kg (210-220 lb)	7,6 bar (110 psi)
100-104 kg (220-230 lb)	7,9 bar (114 psi)
104-109 kg (230-240 lb)	8,2 bar (119 psi)
109-113 kg (240-250 lb)	8,5 bar (123 psi)



RÉGLAGE DE LA COMPRESSION

RÉGLAGE DE LA COMPRESSION GRIP



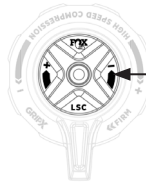
Le levier de **micro-réglage à 3 positions** sert à procéder aux réglages sur le terrain dans le but de contrôler les performances de la fourche. Les modes OPEN, MEDIUM et FIRM servent à affiner le réglage de votre compression.

RÉGLAGE DE LA COMPRESSION GRIP X

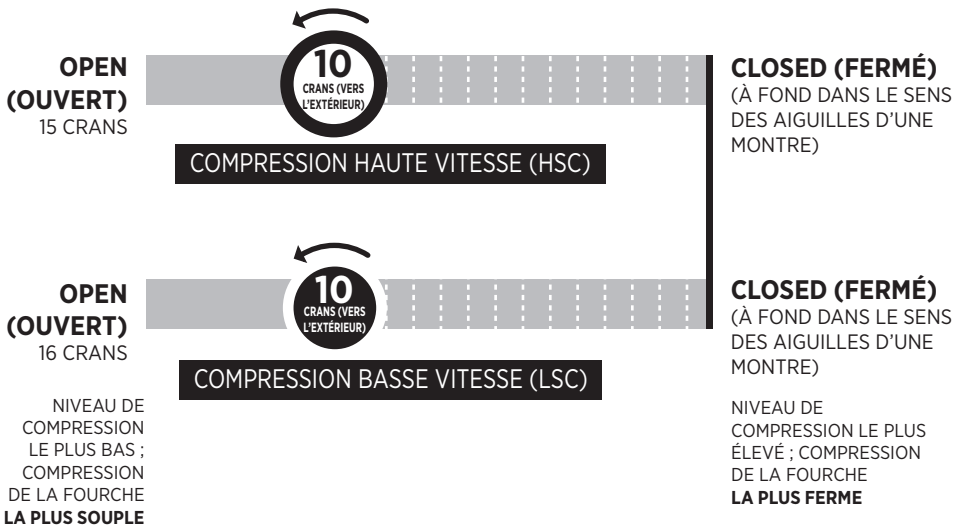
Ce schéma sert de point de départ à vos réglages de compression. **Tournez vos molettes de compression en position fermée (à fond dans le sens des aiguilles d'une montre) jusqu'à ce qu'elles se bloquent. Puis tournez-les dans l'autre sens (sens inverse des aiguilles d'une montre) en comptant le nombre de crans indiqué ci-dessous.**



Le réglage de la **compression haute vitesse** sert à contrôler les performances de la fourche lors des impacts causés par de gros chocs, par des réceptions de sauts et par des bosses très marquées.



Le réglage de la **compression basse vitesse** sert à contrôler les performances de la fourche lors des impacts causés par le poids du cycliste, par les G en virage et d'autres situations à compression lente.



RÉGLAGE DE LA COMPRESSION GRIP X2

Ce schéma sert de point de départ à vos réglages de compression. **Tournez vos molettes de compression en position fermée (à fond dans le sens des aiguilles d'une montre) jusqu'à ce qu'elles se bloquent. Puis tournez-les dans l'autre sens (sens inverse des aiguilles d'une montre) en comptant le nombre de crans indiqué ci-dessous.**



Le réglage de la **compression haute vitesse** sert à contrôler les performances de la fourche lors des impacts causés par de gros chocs, par des réceptions de sauts et par des bosses très marquées.

Le réglage de la **compression basse vitesse** sert à contrôler les performances de la fourche lors des impacts causés par le poids du cycliste, par les G en virage et d'autres situations à compression lente.

OPEN (OUVERT)
8 CRANS



COMPRESSION HAUTE VITESSE (HSC)

CLOSED (FERMÉ)
(À FOND DANS LE SENS DES AIGUILLES D'UNE MONTRE)

OPEN (OUVERT)
16 CRANS



COMPRESSION BASSE VITESSE (LSC)

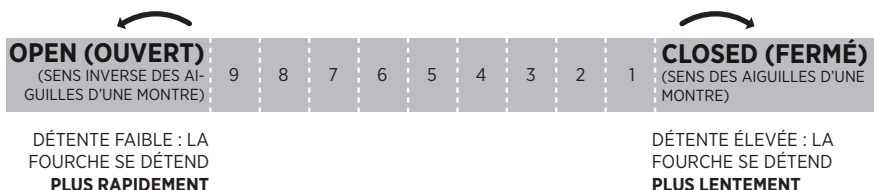
CLOSED (FERMÉ)
(À FOND DANS LE SENS DES AIGUILLES D'UNE MONTRE)

NIVEAU DE COMPRESSION LE PLUS BAS ; COMPRESSION DE LA FOURCHE **LA PLUS SOUPLE**

NIVEAU DE COMPRESSION LE PLUS ÉLEVÉ ; COMPRESSION DE LA FOURCHE **LA PLUS FERME**

RÉGLAGE DE LA DÉTENTE

La **détente** contrôle la vitesse à laquelle la fourche se détend après la phase de compression. Le réglage de la détente dépend du réglage de la pression pneumatique. Par exemple, une pression pneumatique élevée nécessite un réglage de la détente relativement lent. Utilisez la valeur de votre pression pneumatique pour définir le réglage de votre détente. Le régleur de la détente se situe sous le bras de la fourche du côté de la cartouche d'amortissement.



DÉTENTE GRIP/GRIP X



Tournez la molette de la détente en position fermée dans le sens des aiguilles d'une montre jusqu'à ce qu'elle se bloque. Puis tournez-la dans le sens inverse des aiguilles d'une montre en comptant le nombre de crans indiqué dans le tableau de la page suivante.

DÉTENTE GRIP X2



Tournez la molette de la détente en position fermée dans le sens des aiguilles d'une montre jusqu'à ce qu'elle se bloque. Puis tournez-la dans le sens inverse des aiguilles d'une montre en comptant le nombre de crans indiqué dans le tableau de la page suivante.

Le réglage de la **détente haute vitesse** sert à contrôler les performances de la fourche lors des impacts causés par de gros chocs, par des réceptions de sauts et par des bosses très marquées.

Le réglage de la **détente basse vitesse** sert à contrôler les performances de la fourche lors des impacts causés par le poids du cycliste, par les G en virage et d'autres situations à compression lente.

Points de départ conseillés pour le réglage de la détente

Pression	Réglage de la détente			
	38 GRIP	38 GRIP X	38 GRIP X2 LSR	38 GRIP X2 HSR
5,0 bar (72 psi)	13	16	9	8
5,2 bar (76 psi)	12	14	8	7
5,5 bar (80 psi)	11	12	7	7
5,8 bar (84 psi)	10	10	7	6
6,1 bar (89 psi)	9	9	7	6
6,4 bar (93 psi)	8	8	7	5
6,7 bar (97 psi)	7	7	6	4
7,0 bar (102 psi)	6	6	5	4
7,3 bar (106 psi)	5	5	4	3
7,6 bar (110 psi)	4	4	3	2
7,9 bar (114 psi)	3	3	3	1
8,2 bar (119 psi)	2	2	2	0
8,5 bar (123 psi)	1	1	1	0

OPTIONS DE RÉGLAGE SUPPLÉMENTAIRES

ENTRETOISES DE VOLUME À CLIPSER

Changer les entretoises de volume sur une fourche 38 FLOAT est une manipulation interne facile à réaliser qui vous permet de modifier la course d'amortissement sur sa partie intermédiaire ainsi que la résistance au talonnage.

Si vous avez réglé votre sag correctement mais que vous utilisez trop facilement tout le débattement disponible (talonnage), alors vous pouvez installer une ou plusieurs entretoises pour augmenter la résistance au talonnage.

Si vous avez réglé votre sag correctement mais que vous n'utilisez pas tout le débattement disponible, alors vous pouvez retirer l'entretoise pour diminuer la résistance au talonnage.

Les procédures d'installation et les différentes options de réglage sont disponibles en ligne sur le site : ridefox.com/ownersmanuals

Configurations des entretoises de volume de la 38 FLOAT		
Débattement	Entretoises de volume installées d'origine	*Nombre maxi d'entretoises de volume
180 mm	1	4
170 mm	2	5
160 mm	3	6
150 mm	4	6
130 mm	5	9

Configurations des entretoises de volume de la 38 FLOAT E-Bike+		
Débattement	Entretoises de volume installées d'origine	*Nombre maxi d'entretoises de volume
180 mm	2	4
170 mm	3	5
160 mm	4	6
150 mm	5	6

ENTRETIEN

Le fait de nettoyer convenablement votre produit FOX entre chaque sortie et de procéder aux opérations d'entretien de manière régulière vous aidera à réduire les coûts de réparation et à prolonger la durée de vie du produit.

Pour en savoir plus sur les procédures d'entretien, consultez le site www.ridefox.com/OwnersManuals ou contactez FOX pour un service d'entretien complet (**1 800 369 7469** ou mtbservice@ridefox.com).

Opérations d'entretien minimal recommandées	Avant chaque sortie	Après chaque sortie	Régulièrement	Toutes les 125 heures ou une fois par an, au premier des termes échu*
Vérifiez l'extérieur de votre fourche/amortisseur. N'utilisez pas la fourche/l'amortisseur si une pièce extérieure semble endommagée. Contactez FOX ou votre revendeur habituel pour obtenir une réparation.	X			
Vérifiez que les leviers de blocage rapide et les axes sont correctement réglés et serrés.	X			
Vérifiez le réglage de votre jeu de direction. S'il y a du jeu, resserrez-le conformément aux instructions du fabricant de votre vélo.	X			
Vérifiez que tous les câbles ou durites de frein sont correctement attachés. Vérifiez le bon fonctionnement de vos freins avant et arrière sur terrain plat.	X			
Nettoyez l'extérieur de la fourche avec du savon doux et de l'eau, puis essuyez avec un chiffon doux. N'utilisez jamais de nettoyeur haute pression et ne vaporisez jamais d'eau directement sur l'articulation joint/corps de l'amortisseur.		X		
Vérifiez les réglages du sag et de la cartouche d'amortissement. Vérifiez que les commandes ne présentent pas de dommages apparents et qu'elles fonctionnent correctement.			X	
Entretien complet (inspections interne et externe complètes, vérification de la cartouche d'amortissement, remplacement des joints d'étanchéité pour les amortisseurs pneumatiques, vérification du ressort pneumatique, remplacement du bain d'huile et du joint anti-poussière).				X

*Pour les cyclistes qui pratiquent des descentes accessibles par remontées mécaniques, dans des Bike-parks ou le freeride extrême ou qui roulent sur des terrains extrêmement humides et boueux ou secs et poussiéreux où des impuretés peuvent souiller la fourche, FOX recommande de réaliser les entretiens de manière plus fréquente que ce qui est recommandé ci-dessus, en fonction des besoins. Si vous entendez, voyez ou sentez quelque chose d'anormal, cessez immédiatement d'utiliser votre vélo et contactez un centre d'entretien agréé FOX pour faire réaliser un entretien approprié.

CONSULTEZ LES VIDÉOS ET INFORMATIONS SUPPLÉMENTAIRES SUR LE SITE :

ridefox.com

FOX Factory, Inc., une société de Californie, U.S.A., dont les bureaux se trouvent à l'adresse suivante : 915 Disc Dr, Scotts Valley, CA 95066, U.S.A. (« FOX »), offre la GARANTIE LIMITÉE suivante en ce qui concerne ses produits de suspension :

GARANTIE LIMITÉE FOX

GARANTIE LIMITÉE DE UN (1) AN POUR LES PRODUITS DE SUSPENSION

Dans le respect des restrictions et modalités indiquées dans la présente, Fox garantit à l'acheteur d'origine (client) d'un produit de suspension Fox neuf que ce produit de suspension Fox, quand il est neuf, ne présente pas de défauts de matériau ou de fabrication. Cette garantie limitée arrive à expiration un (1) an à compter de la date d'achat d'origine du produit de suspension Fox auprès d'un revendeur agréé Fox ou d'un équipementier agréé Fox quand la suspension Fox est incluse en tant qu'équipement d'origine sur un véhicule neuf.

MODALITÉS DE LA GARANTIE

Cette garantie limitée n'est valide que si le produit de suspension Fox est utilisé dans des conditions normales et est entretenu conformément aux recommandations de Fox. Cette garantie limitée est uniquement applicable aux produits de suspension Fox achetés neufs auprès d'une source agréée Fox et est offerte uniquement au propriétaire d'origine (client) du produit de suspension Fox neuf. Elle n'est pas transférable à des acheteurs ultérieurs.

S'il est déterminé par Fox, à son seul gré et sur sa décision définitive, qu'un produit de suspension Fox est couvert par cette garantie limitée, il sera réparé ou remplacé par un modèle comparable, choisi unilatéralement par Fox, dont la décision sera péremptoire et exécutoire. CECI FORME LE RECOURS EXCLUSIF EN VERTU DE CETTE GARANTIE LIMITÉE. TOUT AUTRE RECOURS OU DOMMAGE QUI POURRAIT ÊTRE APPLICABLE AUTREMENT DANS LE CADRE DE CETTE GARANTIE LIMITÉE EST EXCLU, Y COMPRIS, SANS Y ÊTRE LIMITÉ, LES DOMMAGES ACCESSOIRES OU INDIRECTS ET LES DOMMAGES OU INTÉRÊTS EXEMPLAIRES.

Cette garantie limitée ne s'applique pas à l'usure normale, aux dysfonctionnements ou aux défaillances dus à un usage inapproprié, une négligence, un montage inapproprié, une modification ou altération, une réparation ou un entretien inapproprié ou non autorisé, un choc, un accident, une chute ou toute autre utilisation anormale, excessive ou inappropriée.

Cette garantie limitée confère au client des droits juridiques spécifiques. Le client peut aussi bénéficier d'autres droits juridiques conformément aux lois nationales en vigueur qui ne sont pas concernées par cette garantie limitée. Si un tribunal compétent détermine qu'une disposition spécifique de cette garantie limitée ne s'applique pas, cette détermination ne portera pas sur les autres dispositions de cette garantie limitée et toutes les autres dispositions resteront effectives.

CETTE GARANTIE EST LA SEULE GARANTIE OFFERTE PAR FOX POUR SES PRODUITS DE SUSPENSION ET LEURS COMPOSANTS ET IL N'Y A AUCUNE AUTRE GARANTIE EN DEHORS DE CELLE DÉCRITE DANS CE DOCUMENT. TOUTE AUTRE GARANTIE QUI POURRAIT ÊTRE IMPLICITE SELON LA LÉGISLATION EN VIGUEUR, Y COMPRIS, SANS Y ÊTRE LIMITÉE, TOUTE GARANTIE IMPLICITE DE QUALITÉ MARCHANDE OU D'APTITUDE À UN USAGE SPÉCIFIQUE EST EXCLUE.

Cette garantie limitée doit être soumise exclusivement aux lois de l'État de Californie.

Lors d'une réclamation sous cette garantie limitée, vous devrez fournir au centre d'entretien agréé FOX :

1. Le produit (ou la pièce concernée) et
2. Une copie de la preuve d'achat d'origine indiquant clairement le nom et l'adresse du vendeur, la date et le lieu d'achat, le numéro de référence du produit et, le cas échéant, un numéro de série. Si les produits FOX ont été vendus en tant qu'équipements d'un vélo complet, la marque, le modèle, l'année modèle et le numéro de série du vélo doivent être indiqués.

CONGRATULAZIONI!

Grazie per aver scelto una sospensione FOX. Tutte le sospensioni FOX sono progettate e testate dai migliori professionisti del settore nella contea di Santa Cruz, California, USA.

Per configurare, utilizzare e mantenere correttamente questo nuovo prodotto FOX, seguire le indicazioni e le istruzioni fornite in questo manuale dell'utilizzatore.

Ulteriori informazioni e video sono disponibili all'indirizzo <http://www.ridefox.com/OwnersManuals>. In alternativa, contattare FOX US al numero 1.800.369.7469, inviare una e-mail a mtbservice@ridefox.com o interpellare un Centro di assistenza autorizzato FOX International all'indirizzo <http://www.ridefox.com/GlobalDistributors>. Se l'accesso Internet non fosse disponibile, contattare FOX per ordinare gratuitamente una copia cartacea del manuale dell'utilizzatore FOX relativo al prodotto.

AVVERTENZE DI PERICOLO E INFORMAZIONI SULLA SICUREZZA

I prodotti FOX devono essere installati da un tecnico di assistenza professionista rispettando le specifiche indicate da FOX. Le forcelle installate in modo errato possono guastarsi, causando perdite di controllo da parte del ciclista con possibili LESIONI GRAVI O MORTALI.

La modifica o l'alterazione di un prodotto FOX può causare guasti con conseguenti LESIONI GRAVI O MORTALI. Non modificare o alterare NESSUNA parte di un prodotto FOX (inclusi molle elicoidali, archetto trasversale degli steli, testa, canotto, steli, foderi, serbatoi dell'aria, reggisella, regolatori di volume dell'aria, interni, spessori delle fessure del perno, adattatori del perno o qualsiasi altro componente).

Le sospensioni FOX possono essere utilizzate anche su biciclette elettriche di Classe 1 (designazione USA) e L1e-A (designazione UE).

Le sospensioni E-BIKE+ FOX possono essere utilizzate su biciclette elettriche di Classe 3 (designazione USA) e L1e-B (designazione UE).

NON utilizzare le sospensioni FOX su biciclette a motore a pedalata assistita o su veicoli a motore che superano una velocità massima assistita di 32 km/h (20 mph) o un peso massimo complessivo di 140 Kg (308 lb).

NON utilizzare le sospensioni E-BIKE+ FOX su biciclette a motore a pedalata assistita o su veicoli a motore che superano una velocità massima assistita di 45 km/h (28 mph) o un peso massimo complessivo di 169 Kg (372 lb). NON utilizzare le sospensioni FOX su biciclette motorizzate dotate di acceleratore.

Oltre a invalidare la garanzia, l'uso improprio delle sospensioni FOX può causare il loro cedimento, con conseguenti danni materiali oppure LESIONI GRAVI O MORTALI.

NON utilizzare le sospensioni FOX su mezzi che trasportano più di un operatore o ciclista, come ad esempio biciclette tandem o biciclette utility.

Non rimuovere o sostituire il canotto della forcella. Ciò potrebbe comportare perdite di controllo della bicicletta con conseguenti LESIONI GRAVI O MORTALI.

Non rimuovere o sostituire il canotto o gli steli separatamente dalla testa. La modifica della testa integrata, del canotto o degli steli può causare il cedimento del gruppo, con conseguenti perdite di controllo e LESIONI GRAVI O MORTALI.

Non tagliare il canotto più di tre (3) mm al di sotto della parte installata più alta. Se la lunghezza del canotto viene erroneamente ridotta in modo eccessivo, il gruppo testa/canotto/steli DEVE ESSERE SOSTITUITO! L'utilizzo di una forcella con la parte bloccata del canotto troppo corta può comportare cedimenti improvvisi che possono causare perdite di controllo e conseguenti LESIONI GRAVI O MORTALI.

Se il canotto della forcella presenta intaccature o solchi percepibili con l'unghia, il gruppo testa/canotto della forcella deve essere sostituito. Intaccature o solchi possono causare il cedimento del canotto della forcella, con conseguenti perdite di controllo e possibili LESIONI GRAVI O MORTALI.

Non tentare mai di filettare i canotti delle forcelle FOX che non prevedono la filettatura. Ricavare una filettatura in un canotto della forcella che non prevede la filettatura può causare il cedimento del canotto stesso, con conseguenti perdite di controllo e possibili LESIONI GRAVI O MORTALI.

Non utilizzare mai più di 30 mm di distanziali sotto l'attacco manubrio sul canotto della forcella. Ciò può provocare il cedimento del canotto stesso, con conseguenti perdite di controllo e possibili LESIONI GRAVI O MORTALI.

Non permettere mai che oggetti quali cavi o guaine entrino in contatto con il canotto della forcella. Se la bicicletta prevede l'instradamento interno di cavi e guaine, consultare il manuale del produttore della bicicletta per le istruzioni di sicurezza. L'interferenza di cavi e/o guaine con il canotto della forcella può causare il cedimento del canotto stesso, con conseguenti perdite di controllo e possibili LESIONI GRAVI O MORTALI.

L'interferenza di una guaina con la testa della forcella causa nel tempo danni da abrasione. Se il contatto è inevitabile, utilizzare nastro in vinile o una protezione simile per riparare il punto di contatto. La garanzia FOX non copre i danni da abrasione alla testa di una forcella FOX.

Una manutenzione non corretta o l'uso di parti di ricambio non originali per le forcelle e gli ammortizzatori FOX possono causare malfunzionamenti con conseguenti LESIONI GRAVI O MORTALI.

Poiché sporcizia e detriti possono accumularsi tra le aperture del perno della forcella, controllare e pulire sempre queste aree prima di installare la ruota. L'installazione non corretta del mozzo o del perno può provocare LESIONI GRAVI O MORTALI.

Non usare mai acqua ad alta pressione per la pulizia di un prodotto FOX.

Se la forcella perde olio, si estende o affonda eccessivamente oppure produce rumori anomali, non utilizzarla e contattare immediatamente FOX o un centro di assistenza autorizzato FOX per richiedere una verifica o una riparazione.

Seguire le istruzioni del produttore dei freni per una corretta installazione e regolazione dell'impianto frenante. L'installazione o la regolazione non corretta dei freni può causare perdite di controllo con conseguenti LESIONI GRAVI O MORTALI.

La forcella o l'ammortizzatore potrebbero guastarsi in condizioni che provocano la flessione e/o la rottura di una qualsiasi parte della forcella o dell'ammortizzatore. Qualsiasi condizione all'origine di una perdita di aria e/o olio, come un impatto o un periodo prolungato di inutilizzo, può causare il cedimento della forcella o dell'ammortizzatore. Una forcella o un ammortizzatore danneggiati e/o soggetti a perdite possono cedere, provocando perdite di controllo con conseguenti LESIONI GRAVI O MORTALI. Se si sospetta che la forcella o l'ammortizzatore siano danneggiati, interrompere immediatamente la guida e contattare FOX per l'ispezione e la riparazione.

I portabici che prevedono il fissaggio sulla forcella possono danneggiare i foderi e/o i forcellini, soprattutto nei casi in cui la forcella sia caricata lateralmente e/o la ruota posteriore non sia fissata nel portabici. I foderi della forcella e/o i forcellini danneggiati possono cedere e provocare incidenti con conseguenti LESIONI GRAVI O MORTALI. Se si sospetta che la forcella sia danneggiata, contattare FOX per l'ispezione e la riparazione.

INSTALLAZIONE DELLA FORCELLA

1. Rimuovere la forcella installata sulla bicicletta. Rimuovere la testa dalla vecchia forcella. Misurare la lunghezza del canotto della vecchia forcella e riportare tale misura sul canotto della nuova forcella FOX. Se non si dispone di una forcella da misurare, prendere nota dell'altezza dello stack della serie sterzo (componenti della serie sterzo e tubo sterzo del telaio). Quindi, consultare le istruzioni del produttore dell'attacco manubrio per accertarsi che vi sia una superficie di bloccaggio sufficiente per l'attacco manubrio stesso.
2. Contrassegnare il canotto della forcella e tagliarlo alla lunghezza corretta.

⚠ AVVERTENZA DI PERICOLO

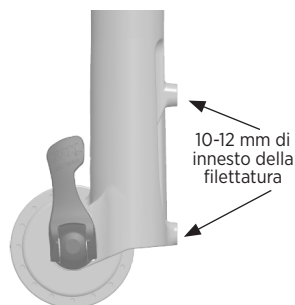
Prima di effettuare qualsiasi taglio, consultare le istruzioni del produttore della serie sterzo e dell'attacco manubrio per verificare che la lunghezza del canotto della forcella sia sufficiente per bloccare il canotto e l'attacco manubrio. Un'installazione non corretta può comportare la separazione dell'attacco manubrio dal canotto con conseguenti perdite di controllo e possibili LESIONI GRAVI O MORTALI.

3. Installare la serie sterzo. Utilizzare sempre una serie sterzo nuova senza filettatura e seguire le istruzioni di installazione del produttore della serie sterzo.
4. Installare un anello della testa della forcella da 39,8 mm per canotti forcella da 1 1/2 pollice. Utilizzare un posizionatore per anello della testa della forcella per installare saldamente l'anello della testa della forcella contro la parte superiore della testa.
5. Utilizzare l'apposito attrezzo per installare il dado a stella da 4-10 mm al di sotto del canotto sterzo.
6. Installare la forcella sulla bicicletta. Installare le parti del cuscinetto serie sterzo e l'attacco manubrio secondo le istruzioni del produttore della serie sterzo. Regolare il precarico della serie sterzo fino a quando non si avverte più un eccesso di gioco o di resistenza del cuscinetto. Serrare le viti di bloccaggio dell'attacco manubrio secondo le specifiche di coppia indicate dal produttore dell'attacco manubrio.
7. Installare i freni secondo le istruzioni del produttore dei freni. La dimensione massima del rotore è di 230 mm.

⚠ AVVERTENZA DI PERICOLO

Le filettature delle viti di montaggio della pinza del freno a disco devono innestarsi per 10-12 mm nella forcella. Utilizzare una chiave dinamometrica per serrare le viti di montaggio della pinza secondo le specifiche del produttore del freno a disco, ma non superare 10,2 N·m (90 in-lb). Un'errata installazione può comportare il cedimento dei freni, con conseguenti perdite di controllo e possibili LESIONI GRAVI O MORTALI.

8. Instradare la guaina o il raccordo del freno a disco anteriore all'interno del fodero e attraverso la guida del raccordo del freno a disco. Utilizzare una chiave dinamometrica per serrare la vite della guida del raccordo del freno a disco a 0,9 N·m (8 in-lb).



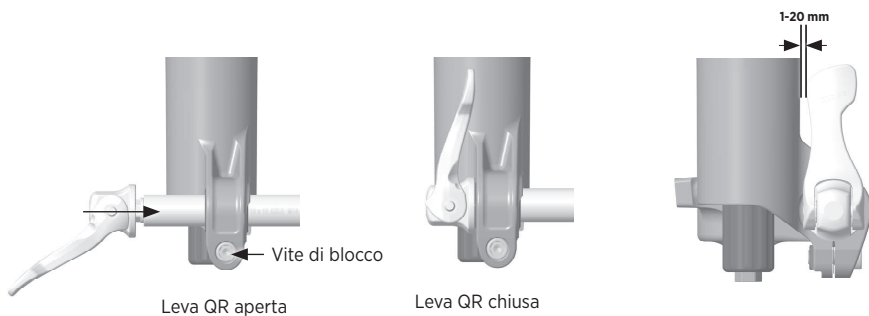
⚠ AVVERTENZA DI PERICOLO

Utilizzare solo la pressione della mano. Non utilizzare in nessun caso degli utensili per serrare la leva di sgancio rapido. Un serraggio eccessivo delle leve può danneggiare il perno o i forcellini della forcella. Questo può causare l'improvviso cedimento di uno o più componenti, con conseguenti LESIONI GRAVI O MORTALI. Un fissaggio non corretto del perno può causare il distacco della ruota dalla bicicletta, con conseguenti LESIONI GRAVI O MORTALI.

INSTALLAZIONE SGANCIO RAPIDO DA 15 MM

1. Allentare la vite di blocco e installare la ruota anteriore nei forcellini. Far scorrere il perno attraverso i forcellini lato trasmissione e il mozzo.
2. Aprire la leva del perno e la vite di blocco.
3. Ruotare il perno in senso orario di 5-6 giri completi nel dado del perno.
4. Chiudere la leva. La leva deve esercitare una resistenza sufficiente per lasciare un'impronta sulla mano.
5. La leva chiusa deve arrestarsi a una distanza compresa tra 1 e 20 mm dal fodero della forcella.
6. Se la leva non esercita una tensione sufficiente o se esercita una tensione eccessiva quando è chiusa nella posizione consigliata (1-20 mm dalla forcella), consultare la sezione successiva per le istruzioni di regolazione.
7. Comprimerne la forcella un paio di volte per verificare che il fodero inferiore sia inserito nel punto di attrito minimo.
8. Serrare la vite di blocco sul forcellino lato trasmissione a una coppia di 5,1 N·m (45 in·lb).

IMPORTANTE: Sarà sufficiente serrare la vite di blocco in occasione della prima installazione della ruota. Dopo aver serrato la vite di blocco, è possibile rimuovere il perno di sgancio rapido (QR) e sostituirlo senza allentare o serrare nuovamente la vite di blocco. Se si sostituiscono le ruote o i mozzi, è probabile che la vite di blocco debba essere regolata seguendo queste istruzioni di installazione a partire dal punto 1.

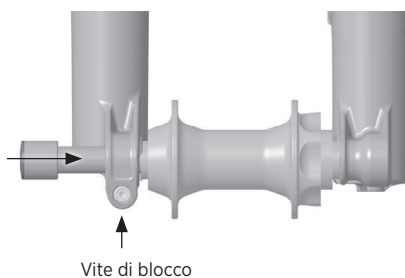


REGOLAZIONE DELLO SGANCIO RAPIDO

1. Prendere nota della direzione in cui deve ruotare la leva del perno per determinare l'orientamento corretto.
2. Aprire la leva del perno sulla forcella.
3. Tenere la leva di sgancio rapido aperta e ferma in modo che non possa ruotare. Utilizzare una chiave a brugola da 4 mm inserendola al centro dell'estremità del perno per regolare la posizione della leva. Con il regolatore da 4 mm impostato correttamente, si dovrebbe iniziare a percepire una certa resistenza nel perno quando la leva di sgancio rapido è a 90 gradi, cioè prima della chiusura completa in posizione verticale.
4. Ripetere le istruzioni di installazione del perno per verificare che l'installazione e la regolazione siano corrette.

INSTALLAZIONE DEL PERNO KABOLT X

1. Allentare la vite di blocco e installare la ruota anteriore nei forcellini. Far scivolare il perno KaboltX attraverso i forcellini lato trasmissione e il mozzo.
2. Utilizzare una brugola da 6 mm per serrare il perno KaboltX in senso orario secondo la specifica di coppia incisa sulla testa del perno KaboltX stesso.
3. Comprimerne la forcella un paio di volte per verificare che il fodero inferiore sia inserito nel punto di attrito minimo.
4. Serrare la vite di blocco sul forcellino lato trasmissione a una coppia di 5,1 N·m (45 in-lb).



TEST DI PASSAGGIO PNEUMATICO

⚠ AVVERTENZA DI PERICOLO

Se è necessario utilizzare un parafango o un paraspruzzi, è indispensabile che questo sia installato durante l'esecuzione del test del passaggio ruota.

1. Azzerare la pressione dell'aria nella forcella premendo la valvola Schrader.

⚠ AVVERTENZA DI PERICOLO

Le forcelle FOX possono contenere aria ad alta pressione. AZZERARE la pressione della camera principale prima dello smontaggio. In caso contrario, si potrebbe verificare l'espulsione di componenti o fluidi dalla forcella, con conseguenti LESIONI GRAVI O MORTALI.

2. Comprimerne completamente la forcella.
3. Misurare la distanza dai bordi dello pneumatico gonfio al parafango/paraspruzzi, alla testa, all'archetto della forcella e al canotto. Attorno allo pneumatico devono essere presenti ALMENO 8,5 mm di distanza libera.

⚠ AVVERTENZA DI PERICOLO

Se non si lasciano almeno 8,5 mm di distanza tra i bordi dello pneumatico gonfiato e il parafango/paraspruzzi, la testa, l'archetto della forcella e il canotto, lo pneumatico potrebbe interferire con la testa quando la forcella è completamente compressa, con conseguenti LESIONI GRAVI O MORTALI.

4. Gonfiare la forcella alla pressione desiderata utilizzando una pompa ad alta pressione FOX. Impostare il sag secondo le istruzioni online su www.ridefox.com.
5. È necessario ripetere questo test OGNI volta che si sostituiscono pneumatici o cerchi.

⚠ AVVERTENZA DI PERICOLO

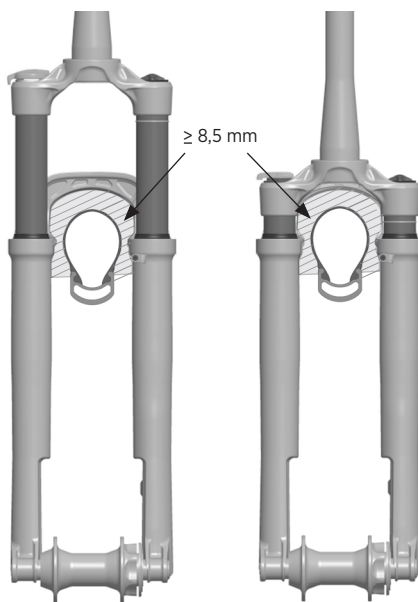
Non superare la pressione massima consigliata:

La pressione massima dell'aria delle forcelle 38 FLOAT è di 8,3 bar (120 psi).

La pressione minima è:

2,7 bar (40 psi) per tutte le forcelle 38 FLOAT.

La pressione deve essere misurata a una temperatura ambiente di 21-24 °C (70-75 °F). Il normale intervallo di temperatura di esercizio per i prodotti Fox è compreso fra -7 e 60 °C (20-140 °F).



DISTANZIALI DI VOLUME DELLA MOLLA PNEUMATICA

La modifica dei regolatori di volume nelle forcelle 38 FLOAT offre una semplice regolazione interna che consente di variare la resistenza a metà corsa e a fine corsa. Se il sag impostato è corretto e se l'escursione completa si esaurisce troppo facilmente (cioè la sospensione arriva frequentemente a fondocorsa), è possibile installare uno o più distanziali per aumentare la resistenza di fondocorsa. Se non si utilizza l'escursione completa, è possibile rimuovere uno o più distanziali per ridurre la resistenza di fondocorsa.

1. Rimuovere il tappo dell'aria.
2. Azzerare la pressione dell'aria nella forcella premendo la valvola Schrader.

AVVERTENZA DI PERICOLO

Le forcelle FOX possono contenere aria ad alta pressione. AZZERARE la pressione della camera principale prima dello smontaggio. In caso contrario, si potrebbe verificare l'espulsione di componenti o fluidi dalla forcella, con conseguenti LESIONI GRAVI O MORTALI.

3. Svitare con cautela il terminale superiore dalla forcella con una chiave a bussola da 32 mm non smussata a 6 punti.
4. Tirare verso l'alto per rimuovere il gruppo del terminale superiore dalla testa della forcella.
5. Far scorrere il distanziale o i distanziali di volume in senso orizzontale per installarli o rimuoverli dal terminale superiore.

AVVERTENZA DI PERICOLO

Non superare il numero massimo di distanziali di volume previsti per la forcella. Ciò può danneggiare la forcella. Ulteriori informazioni sul distanziale di volume sono disponibili online sul sito www.ridefox.com.

6. Reinstallare il gruppo del terminale superiore nella testa della forcella e serrare a 24,8 N·m (220 in·lb) con una chiave a bussola da 32 mm non smussata a 6 punti.
7. Gonfiare la forcella alla pressione desiderata utilizzando una pompa ad alta pressione FOX. Impostare il sag secondo le istruzioni online su www.ridefox.com.

IMPOSTAZIONE DEL SAG

Per ottenere le migliori prestazioni dalla sospensione FOX, regolare la pressione dell'aria per raggiungere l'impostazione del sag corretta. Il termine sag indica l'entità della compressione della sospensione (cioè l'abbassamento) dovuta al peso del ciclista e all'attrezzatura di guida. L'intervallo di sag dovrebbe essere tra il 15 e il 20% dell'escursione totale della forcella.

Impostare il sag con la leva di compressione nella modalità OPEN (aperta).

Un video sulla configurazione del sag è disponibile su ridefox.com/sagsetup

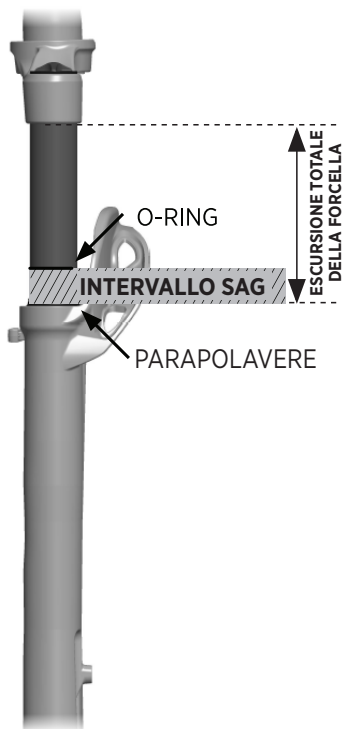
Valori di sag suggeriti		
Escursione	Sag 15% (sospensione rigida)	Sag 20% (sospensione morbida)
150 mm (5,5")	22 mm (0,9")	30 mm (1,2")
160 mm (5,9")	24 mm (1,0")	32 mm (1,3")
170 mm (6,7")	26 mm (1,0")	34 mm (1,3")
180 mm (7,0")	27 mm (1,0")	36 mm (1,4")



Non superare la pressione massima consigliata:

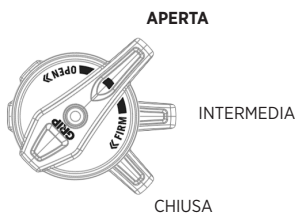
La pressione massima dell'aria delle forcelle **38 FLOAT** è di **8,3 bar (120 psi)**.

Punti di partenza suggeriti per impostare il sag	
Peso del biker	Pressione 38 FLOAT/ E-Bike+
54-59 kg (120-130 lb)	5,0 bar (72 psi)
59-64 kg (130-140 lb)	5,2 bar (76 psi)
64-68 kg (140-150 lb)	5,5 bar (80 psi)
68-73 kg (150-160 lb)	5,8 bar (84 psi)
73-77 kg (160-170 lb)	6,1 bar (89 psi)
77-82 kg (170-180 lb)	6,4 bar (93 psi)
82-86 kg (180-190 lb)	6,7 bar (97 psi)
86-91 kg (190-200 lb)	7,0 bar (102 psi)
91-95 kg (200-210 lb)	7,3 bar (106 psi)
95-100 kg (210-220 lb)	7,6 bar (110 psi)
100-104 kg (220-230 lb)	7,9 bar (114 psi)
104-109 kg (230-240 lb)	8,2 bar (119 psi)
109-113 kg (240-250 lb)	8,5 bar (123 psi)



REGOLAZIONE DELLA COMPRESSIONE

REGOLAZIONE DELLA COMPRESSIONE TRAMITE GRIP



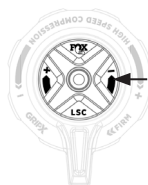
La leva di **microregolazione a 3 posizioni** è utile controllare le prestazioni della forcella in tempo reale. Utilizzare le posizioni OPEN, MEDIUM e FIRM (aperta, intermedia, chiusa) per ottimizzare lo smorzamento della compressione.

REGOLAZIONE DELLA COMPRESSIONE GRIP X

Utilizzare questo diagramma come punto di partenza per i regolatori di compressione. **Ruotare i regolatori di compressione in posizione chiusa (completamente in senso orario) fino all'arresto. Quindi, ruotarli in senso contrario (antiorario) fino al numero di scatti indicato di seguito.**



La regolazione della **compressione alle alte velocità** è utile per controllare le prestazioni della forcella durante gli impatti più intensi, gli atterraggi e gli urti sugli spigoli vivi.



La regolazione della **compressione alle basse velocità** è utile per controllare le prestazioni della forcella durante gli spostamenti di peso del rider, gli affondamenti e altre sollecitazioni lente.

APERTA
15 SCATTI



COMPRESSIONE ALLE ALTE VELOCITÀ (HSC)

CHIUSA
(COMPLETAMENTE
IN SENSO ORARIO)

APERTA
16 SCATTI



COMPRESSIONE ALLE BASSE VELOCITÀ (LSC)

CHIUSA
(COMPLETAMENTE
IN SENSO ORARIO)

QUANTITÀ
MINIMA DI
SMORZAMENTO DI
COMPRESSIONE;
COMPRESSIONE
FORCELLA **PIÙ
MORBIDA
POSSIBILE**

MASSIMO
SMORZAMENTO DI
COMPRESSIONE;
COMPRESSIONE
FORCELLA
PIÙ RIGIDA POSSIBILE

REGOLAZIONE DELLA COMPRESSIONE GRIP X2

Utilizzare questo diagramma come punto di partenza per i regolatori di compressione. **Ruotare i regolatori di compressione in posizione chiusa (completamente in senso orario) fino all'arresto. Quindi, ruotarli in senso contrario (antiorario) fino al numero di scatti indicato di seguito.**



La regolazione della **compressione alle alte velocità** è utile per controllare le prestazioni della forcella durante gli impatti più intensi, gli atterraggi e gli urti sugli spigoli vivi.

La regolazione della **compressione alle basse velocità** è utile per controllare le prestazioni della forcella durante gli spostamenti di peso del rider, gli affondamenti e altre sollecitazioni lente.

APERTA
8 SCATTI



COMPRESSIONE ALLE ALTE VELOCITÀ (HSC)

CHIUSA
(COMPLETAMENTE
IN SENSO ORARIO)

APERTA
16 SCATTI



COMPRESSIONE ALLE BASSE VELOCITÀ (LSC)

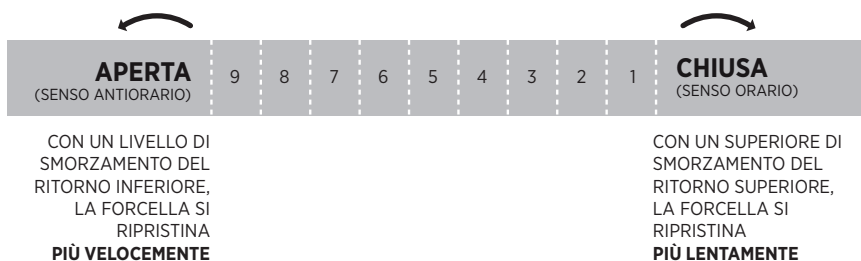
CHIUSA
(COMPLETAMENTE
IN SENSO ORARIO)

QUANTITÀ MINIMA
DI SMORZAMENTO
DI COMPRESSIONE;
COMPRESSIONE
FORCELLA **PIÙ
MORBIDA
POSSIBILE**

MASSIMO
SMORZAMENTO DI
COMPRESSIONE;
COMPRESSIONE
FORCELLA
PIÙ RIGIDA POSSIBILE

REGOLAZIONE DEL RITORNO

Il termine "**ritorno**" indica la velocità di estensione della forcella dopo la compressione. La regolazione del ritorno dipende dall'impostazione della pressione dell'aria. Ad esempio, pressioni dell'aria più elevate comportano impostazioni di ritorno più lente. Usare la pressione dell'aria per trovare l'impostazione corretta del ritorno. Il regolatore del ritorno si trova sotto il fodero della forcella lato ammortizzatore.



RITORNO GRIP/GRIP X



Portare la manopola del ritorno verso la posizione chiusa, ruotandola in senso orario finché non si arresta. Ruotare quindi la manopola in senso antiorario per il numero di clic indicato nella tabella della pagina successiva.

RITORNO GRIP X2



Portare la manopola del ritorno verso la posizione chiusa, ruotandola in senso orario finché non si arresta. Ruotare quindi la manopola in senso antiorario per il numero di clic indicato nella tabella della pagina successiva.

La regolazione del **ritorno alle alte velocità** è utile per controllare le prestazioni della forcella durante gli impatti più intensi, gli atterraggi e gli urti sugli spigoli vivi.

La regolazione del **ritorno alle basse velocità** è utile per controllare le prestazioni della forcella durante gli spostamenti di peso del rider, gli affondamenti e altre sollecitazioni lente.

Punti di partenza suggeriti per il ritorno

Pressione	Impostazione ritorno			
	38 GRIP	38 GRIP X	38 GRIP2 LSR	38 GRIP2 HSR
5,0 bar (72 psi)	13	16	9	8
5,2 bar (76 psi)	12	14	8	7
5,5 bar (80 psi)	11	12	7	7
5,8 bar (84 psi)	10	10	7	6
6,1 bar (89 psi)	9	9	7	6
6,4 bar (93 psi)	8	8	7	5
6,7 bar (97 psi)	7	7	6	4
7,0 bar (102 psi)	6	6	5	4
7,3 bar (106 psi)	5	5	4	3
7,6 bar (110 psi)	4	4	3	2
7,9 bar (114 psi)	3	3	3	1
8,2 bar (119 psi)	2	2	2	0
8,5 bar (123 psi)	1	1	1	0

OPZIONI DI OTTIMIZZAZIONE AGGIUNTIVE

DISTANZIALI DI VOLUME A SCATTO

La modifica dei regolatori di volume nelle forcelle 38 FLOAT offre una semplice regolazione interna che consente di variare la resistenza a metà corsa e a fine corsa.

Se il sag impostato è corretto e se l'escursione completa si esaurisce troppo facilmente (cioè la sospensione arriva frequentemente a fondocorsa), è possibile installare uno o più distanziali per aumentare la resistenza di fondocorsa.

Se è stato impostato il sag corretto e non si riesce a utilizzare l'escursione completa è possibile rimuovere il distanziale per ridurre la resistenza di fondocorsa.

La procedura di installazione e le opzioni di messa a punto sono disponibili online all'indirizzo: ridefox.com/ownersmanuals

Configurazioni distanziali di volume 38 FLOAT		
Escursione	Distanziali di volume installati di serie	*Distanziali di volume massimi
180 mm	1	4
170 mm	2	5
160 mm	3	6
150 mm	4	6

Configurazioni distanziali volume 38 FLOAT E-Bike+		
Escursione	Distanziali di volume installati di serie	*Distanziali di volume massimi
180 mm	2	4
170 mm	3	5
160 mm	4	6
150 mm	5	6

MANUTENZIONE

Una pulizia adeguata del prodotto FOX tra un utilizzo e l'altro e una manutenzione programmata a intervalli regolari aiutano a ridurre i costi di riparazione e a prolungare la durata del prodotto stesso.

Per ulteriori informazioni sulle procedure di assistenza, visitare www.ridefox.com/OwnersManuals.

Per informazioni sul servizio di manutenzione completo contattare FOX al numero **(1.800.369.7469)** o via e-mail all'indirizzo mtbservice@ridefox.com).

Attività di assistenza minime consigliate	Prima di ogni utilizzo	Dopo ogni utilizzo	Regolarmente	Ogni 125 ore oppure ogni anno, a seconda dell'evento che si verifica per primo*
Ispezionare completamente la parte esterna della forcella/ammortizzatore. La forcella/ammortizzatore non deve essere usata se una qualsiasi parte esterna reca segni di danni. Contattare il rivenditore locale o FOX per la riparazione.	X			
Controllare che le leve e i perni a sgancio rapido siano regolati e serrati correttamente.	X			
Controllare la regolazione della serie sterzo. Se è allentata, regolarla in base alle raccomandazioni del produttore della bicicletta.	X			
Controllare che tutti i cavi e i tubi dei freni siano fissati correttamente. Controllare il corretto funzionamento dei freni anteriori e posteriori su un terreno pianeggiante.	X			
Pulire la parte esterna solo con acqua e sapone delicato. Asciugare con un panno morbido asciutto. Non utilizzare dispositivi di lavaggio ad alta pressione né spruzzare acqua direttamente sul punto di giunzione tra guarnizioni e corpo dell'ammortizzatore.		X		
Controllare le impostazioni del sag e dell'ammortizzatore. Ispezionare i comandi per individuare danni visivi e verificare la funzionalità.			X	
Manutenzione integrale (ispezione completa interna/esterna, revisione ammortizzatore, sostituzione della guarnizione per ammortizzatori pneumatici, revisione della molla pneumatica, sostituzione del bagno d'olio e del parapolvere).				X

*Se si effettuano sessioni di downhill, park o freeride estremo, oppure se si guida in condizioni estreme su terreni bagnati/fangosi o asciutti/polverosi dove i detriti del trail possono essere proiettati sulla forcella, FOX consiglia di effettuare la manutenzione con una frequenza superiore a quella indicata, in base alle necessità. Se si avvertono o percepiscono comportamenti inusuali, interrompere immediatamente la guida e contattare un centro assistenza FOX autorizzato per i controlli e le riparazioni necessarie.

ULTERIORI INFORMAZIONI E VIDEO SONO DISPONIBILI SU:

ridefox.com

Fox Factory, Inc., multinazionale californiana con sede in 915 Disc Drive, Scotts Valley, CA 95066, USA ("Fox"), stabilisce la seguente GARANZIA LIMITATA per i suoi prodotti per sospensioni:

GARANZIA LIMITATA FOX

GARANZIA LIMITATA DI UN (1) ANNO SULLE SOSPENSIONI

Nel rispetto delle limitazioni, dei termini e delle condizioni del presente documento, FOX garantisce al proprietario originale (consumatore) di ogni nuova sospensione FOX che il prodotto, in condizioni nuove, è privo di difetti dovuti a materiali e lavorazioni. Questa garanzia scade dopo un (1) anno dalla data di acquisto del prodotto FOX originale effettuato in un punto vendita FOX autorizzato o presso un produttore autorizzato che utilizza la sospensione FOX come equipaggiamento di serie nel mezzo acquistato.

TERMINI DI GARANZIA

Questa garanzia limitata è valida a condizione che la sospensione Fox venga utilizzata in condizioni normali e mantenuta correttamente secondo quanto specificato da Fox. Questa garanzia è valida solo per le sospensioni Fox acquistate da una fonte Fox autorizzata. Il titolare della garanzia è esclusivamente il proprietario originale (consumatore) del prodotto nuovo; pertanto, non è trasferibile a eventuali proprietari successivi a quello originale.

Nel caso in cui venisse determinato da Fox, a propria esclusiva discrezione, che una sospensione Fox è coperta dalla presente garanzia, questa verrà riparata oppure sostituita con un prodotto paragonabile, scelto a esclusiva discrezione di Fox in modo conclusivo e vincolante. QUESTO È IL RIMEDIO ESCLUSIVO PREVISTO DA QUESTA GARANZIA LIMITATA. SONO ESCLUSI TUTTI GLI ULTERIORI RIMEDI E RISARCIMENTI PER DANNI CHE POSSONO ALTRIMENTI ESSERE APPLICABILI AI SENSI DELLA PRESENTE GARANZIA LIMITATA, COMPRESI, A TITOLO DI ESEMPIO, DANNI INCIDENTALI O CONSEGUENZIALI O DANNI PUNITIVI.

La presente garanzia limitata non si applica alla normale usura, ai malfunzionamenti o guasti derivanti da abuso, negligenza, montaggio improprio, alterazione o modifica, alla riparazione o manutenzione impropria o non autorizzata, a incidenti o impatti o ad altri usi anomali, eccessivi o impropri.

La presente garanzia limitata attribuisce al consumatore diritti legali specifici. Il consumatore può anche avere altri diritti previsti dalle normative nazionali in vigore che non vengono alterati dalla presente garanzia limitata. Se viene determinato da un tribunale della giurisdizione competente che una determinata disposizione della presente garanzia limitata non è valida, tale determinazione non influirà su alcuna altra disposizione della presente garanzia limitata e tutte le altre disposizioni rimarranno in vigore.

QUESTA È L'UNICA GARANZIA FORNITA DA FOX PER LE PROPRIE SOSPENSIONI E PER I PROPRI COMPONENTI PER SOSPENSIONI. NON ESISTONO GARANZIE CHE ESTENDONO LA PRESENTE DESCRIZIONE. SONO ESCLUSE ALTRE GARANZIE CHE POTREBBERO ALTRIMENTI ESSERE IMPLICITE PER LEGGE, COMPRESI, A TITOLO DI ESEMPIO, GARANZIE IMPLICITE DI COMMERCIALITÀ O IDONEITÀ PER UNO SCOPO PARTICOLARE.

La presente garanzia limitata è regolata esclusivamente dalle leggi dello Stato della California.

Quando si effettua una richiesta ai sensi della presente Garanzia limitata, verrà chiesto di fornire a un centro di assistenza FOX autorizzato:

1. Il Prodotto (o la parte interessata) e
2. Una copia della prova d'acquisto originale, che indichi chiaramente il nome e l'indirizzo del venditore, la data e il luogo di acquisto, il numero di parte del prodotto e, se utilizzato, un numero di serie. Se i prodotti FOX vengono venduti come parte di una bicicletta completa, è necessario indicare la marca della bicicletta, il modello, l'anno del modello e il numero di serie.

HERZLICHEN GLÜCKWUNSCH!

Wir gratulieren zu Ihrer neuen FOX-Federung für Ihr Fahrrad. Alle FOX-Federungsprodukte werden von branchenweit führenden Spezialisten in Santa Cruz County (Kalifornien) in den USA entwickelt und getestet.

Bitte befolgen Sie die Hinweise und Anweisungen in diesem Handbuch, um Ihr neues FOX-Produkt ordnungsgemäß einzustellen, zu verwenden und zu warten.

Weitere Informationen finden Sie unter <http://www.ridefox.com/OwnersManuals>. Kontaktieren Sie bei Bedarf FOX US telefonisch unter 1.800.369.7469 oder per E-Mail an mtbservice@ridefox.com. Außerhalb der USA können sich auch an eines der zugelassenen internationalen FOX Service-Center wenden, die Sie unter <http://www.ridefox.com/GlobalDistributors> finden. Wenn Sie nicht über einen Internetzugang verfügen, wenden Sie sich an FOX, um kostenlos ein Druckexemplar der Online-FOX-Bedienungsanleitung für Ihr Produkt zu bestellen.

WARNHINWEISE UND SICHERHEITSMITTEILUNGEN

Produkte von FOX müssen von einem professionellen Fahrradmechaniker gemäß den FOX-Einbauanleitungen eingebaut werden. Unsachgemäß eingebaute Gabeln können versagen, sodass der Fahrer die Kontrolle über das Fahrrad verliert, was zu SCHWEREN ODER TÖDLICHEN VERLETZUNGEN führen kann.

Modifizierungen oder Veränderungen von FOX-Produkten können Fehlfunktionen des Produkts verursachen, die zu SCHWEREN ODER TÖDLICHEN VERLETZUNGEN führen können. Sie dürfen KEINE Teile eines FOX-Produkts modifizieren oder verändern (einschließlich: Stahlfedern, Querbrücke am Tauchrohr, Gabelkrone, Gabelschaft, Standrohre, Tauchrohr, Luftkammer, Sattelstütze, Luft-Volumenspacer, Innenteile, Achslochplättchen, Achsadapter und alle anderen Teile).

FOX-Fahrrad-Federungsprodukte dürfen auch an elektrisch betriebenen Fahrrädern der Klasse 1 (USA-Bezeichnung) und L1e-A (EU-Bezeichnung) verwendet werden.

FOX E-BIKE+-Federungsprodukte dürfen auch an elektrisch betriebenen Fahrrädern der Klasse 3 (USA-Bezeichnung) und L1e-B (EU-Bezeichnung) verwendet werden.

Verwenden Sie FOX-Fahrrad-Federungsprodukte NICHT an pedalunterstützten motorisierten Fahrrädern oder Motorfahrzeugen, die eine unterstützte Höchstgeschwindigkeit von mehr als 32 km/h (20 mph) erreichen, oder deren max. Systemgewicht 140 kg (308 lb) übersteigt.

Verwenden Sie FOX-E-BIKE+-Federungsprodukte NICHT an pedalunterstützten motorisierten Fahrrädern oder Motorfahrzeugen, die eine unterstützte Höchstgeschwindigkeit von mehr als 45 km/h (28 mph) erreichen, oder deren max. Systemgewicht 169 kg (372 lb) übersteigt. Verwenden Sie FOX-Fahrrad-Federungsprodukte NICHT an motorisierten Fahrzeugen mit Gaszug.

Die missbräuchliche Verwendung von FOX-Federungsprodukten kann den Ausfall der Federung zur Folge haben, sodass die Gefahr von SCHWEREN ODER TÖDLICHEN VERLETZUNGEN besteht, und führt zum Erlöschen der Garantie.

Verwenden Sie FOX-Fahrrad-Federungsprodukte nicht an Fahrzeugen, die mehr als eine Person befördern, beispielsweise Tandems oder schwere Lastenfahräder.

Der Gabelschaft darf nicht entfernt oder ausgetauscht werden. Dies könnte zum Verlust der Kontrolle über das Fahrrad führen, sodass die Gefahr von SCHWEREN ODER TÖDLICHEN VERLETZUNGEN besteht.

Versuchen Sie nicht, den Gabelschaft oder die Standrohre unabhängig von der Gabelkrone auszutauschen. Wenn Sie die integrierte Gabelkrone, den Gabelschaft oder die Standrohre verändern, kann dies zum Versagen der Baugruppe und zum Verlust der Kontrolle über das Fahrrad führen, sodass die Gefahr von SCHWEREN ODER TÖDLICHEN VERLETZUNGEN besteht.

Kürzen Sie den Gabelschaft nicht um mehr als drei (3) mm unterhalb des zuoberst montierten Teils. Wenn der Gabelschaft irrtümlich zu kurz abgeschnitten wird, MUSS die Gabelkrone/Gabelschaft/Standrohr-Baugruppe ERSETZT WERDEN! Die Verwendung einer Gabel mit zu kurzer Vorbauklemmung kann zum plötzlichen Versagen der Gabel und zum Verlust der Kontrolle über das Fahrrad führen, sodass die Gefahr von SCHWEREN ODER TÖDLICHEN VERLETZUNGEN besteht.

Wenn der Gabelschaft Kratzer oder Riefen aufweist, die sich mit dem Fingernagel fühlen lassen, muss die Gabelkrone/Gabelschaft-Baugruppe ausgetauscht werden. Kratzer und Riefen können zum Versagen des Gabelschafts und zum Verlust der Kontrolle über das Fahrrad führen, sodass die Gefahr von SCHWEREN ODER TÖDLICHEN VERLETZUNGEN besteht.

In gewindelose FOX-Gabelschäfte dürfen keine Gewinde geschnitten werden. Wenn ein Gewinde in einer gewindelosen Gabelschaft geschnitten wird, kann das zum Versagen der Gabelschaft und in der Folge zum Verlust der Kontrolle über das Fahrrad führen, sodass die Gefahr von **SCHWEREN ODER TÖDLICHEN VERLETZUNGEN** besteht.

Die Gesamthöhe der Spacer auf der Gabelschaft unter dem Vorbau darf 30 mm nicht übersteigen. Andernfalls kann der Vorbau versagen, sodass der Fahrer die Kontrolle über das Fahrrad verliert und die Gefahr von **SCHWEREN ODER TÖDLICHEN VERLETZUNGEN** besteht.

Achten Sie stets darauf, dass Komponenten wie Züge oder Zughüllen nicht in Berührung mit der Gabelschaft kommen. Wenn die Züge und Zughüllen an Ihrem Fahrrad innen verlegt werden, beachten Sie die Sicherheitshinweise in der Bedienungsanleitung des Fahrradherstellers. Züge und/oder Zughüllen, die in Berührung mit der Gabelschaft kommen, können zum Versagen der Gabelschaft und in der Folge zum Verlust der Kontrolle über das Fahrrad führen, sodass die Gefahr von **SCHWEREN ODER TÖDLICHEN VERLETZUNGEN** besteht.

Wenn die Zughülle die Gabelkrone berührt, führt dies mit der Zeit zur Beschädigung der Gabelkrone durch Abrieb. Falls sich der Kontakt nicht vermeiden lässt, verwenden Sie Klebeband oder ähnliches Material, um die Kontaktfläche zu schützen. Schäden durch Abrieb an der FOX-Gabelkrone sind von der FOX-Garantie nicht gedeckt.

Unschlagmäßige Wartung oder die Verwendung von Fremdbauteilen an FOX-Gabeln und Dämpfern können Fehlfunktionen des Produkts verursachen, die zu **SCHWEREN ODER TÖDLICHEN VERLETZUNGEN** führen können.

Zwischen den Achsaufnahmen der Gabel können sich Schmutz und Verunreinigungen ansammeln. Überprüfen und reinigen Sie diesen Bereich daher stets, bevor Sie das Laufrad einbauen. Eine fehlerhafte Montage von Naben und Achsen kann zu **SCHWEREN ODER TÖDLICHEN VERLETZUNGEN** führen.

Reinigen Sie Ihr FOX-Produkt nicht mit einem Hochdruckreiniger.

Falls Ihre Gabel Öl verliert, stark ausfedert bzw. durchschlägt oder ungewöhnliche Geräusche macht, fahren Sie nicht mit der Gabel und lassen Sie die Komponente unverzüglich von FOX oder einem zugelassenen FOX Service-Center überprüfen.

Befolgen Sie zur ordnungsgemäßen Montage und Einstellung des Bremssystems die Herstelleranweisungen. Wenn Sie Ihre Bremsen nicht ordnungsgemäß einbauen und einstellen, kann es zum Verlust der Kontrolle über das Fahrrad kommen, was zu **SCHWEREN ODER TÖDLICHEN VERLETZUNGEN** führen kann.

Ihre Gabel oder Ihr Dämpfer kann in bestimmten Situationen versagen, wie z. B. wenn Komponenten oder Bauteile der Gabel oder des Dämpfers sich verbiegen oder brechen. Situationen, die zu einem Verlust von Luft und/oder Öl führen, z. B. Unfälle oder längerer Nichtgebrauch, können ebenfalls zum Versagen Ihrer Gabel oder Ihres Dämpfers führen. Beschädigte und/oder undichte Gabeln oder Dämpfer können versagen, was zu Unfällen und **SCHWEREN ODER TÖDLICHEN VERLETZUNGEN** führen kann. Wenn Sie vermuten, dass Ihre Gabel oder Ihr Dämpfer beschädigt sein könnte, fahren Sie nicht mehr mit dem Fahrrad und wenden Sie sich zur Überprüfung und Reparatur an FOX.

Fahrradträger mit Gabelbefestigung können Schäden an den Gabelbeinen und/oder Ausfallenden verursachen, insbesondere in Fällen, in denen die Gabel seitlich belastet wird und/oder wenn das Hinterrad im Fahrradträger nicht fixiert ist. Beschädigte Gabelbeine und/oder Ausfallenden können versagen, was zu Unfällen und **SCHWEREN ODER TÖDLICHEN VERLETZUNGEN** führen kann. Wenn Sie vermuten, dass Ihre Gabel beschädigt sein könnte, wenden Sie sich zur Überprüfung und Reparatur an FOX.

EINBAU DER GABEL

1. Bauen Sie die vorhandene Gabel aus dem Fahrrad aus. Nehmen Sie den Gabelkonus von der alten Gabel ab. Messen Sie die Gabelschaftlänge der vorhandenen Gabel und übertragen Sie diesen Messwert auf den Gabelschaft Ihrer neuen FOX-Gabel. Wenn keine alte Gabel vorhanden ist, messen Sie die Bauhöhe des Steuersatzes (Steuersatzteile und Steuerrohr) und lesen Sie in der Anleitung Ihres Vorbauherstellers nach, um eine ausreichende Klemmfläche für den Vorbau sicherzustellen.
2. Bringen Sie am Gabelschaft eine Markierung an, und kürzen Sie ihn auf die richtige Länge.

ACHTUNG

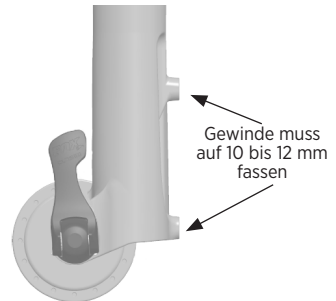
Lesen Sie vor dem Kürzen in der Anleitung des Herstellers Ihres Steuersatzes und Ihres Vorbaus nach, um sicherzustellen, dass der Gabelschaft ausreichend Klemmfläche für die Montage bietet. Bei fehlerhafter Montage kann sich der Vorbau von der Gabelkrone lösen. Dies kann zum Verlust der Kontrolle über das Fahrrad sowie zu SCHWEREN ODER TÖDLICHEN VERLETZUNGEN führen.

3. Bauen Sie den Steuersatz ein. Verwenden Sie stets einen neuen gewindelosen Steuersatz, und befolgen Sie die Montageanleitung des Steuersatzherstellers.
4. Verwenden Sie für Gabelschäfte mit 1 1/2 Zoll Durchmesser einen 39,8-mm-Gabelkonus. Verwenden Sie zum Aufpressen des Gabelkonus ein dafür vorgesehenes Werkzeug, damit der Gabelkonus fest auf der Gabelkrone sitzt.
5. Montieren Sie mit einem dafür vorgesehenen Werkzeug die Spreizmutter 4 bis 10 mm unter der Oberkante des Gabelschafts.
6. Bauen Sie die Gabel in das Fahrrad ein. Bauen Sie die Steuersatzteile und den Vorbau gemäß den Anweisungen des Steuersatzherstellers ein und stellen Sie die Vorspannung des Steuersatzes entsprechend ein, bis er sich ohne Spiel leichtgängig dreht. Ziehen Sie die Vorbauklemmschrauben mit dem vom Vorbauhersteller vorgeschriebenen Drehmoment an.
7. Bauen Sie den Bremsattel gemäß den Anweisungen des Bremsenherstellers ein. Die maximale Brems Scheibengröße beträgt 230 mm.

ACHTUNG

Das Gewinde der Scheibenbremsattel-Befestigungsschrauben muss 10 bis 12 mm in der Gabel fassen. Ziehen Sie die Bremsattel-Montageschrauben mit einem Drehmomentschlüssel auf das vom Hersteller der Scheibenbremse vorgeschriebene Drehmoment an, jedoch nicht auf mehr als 10,2 N·m (90 in-lb). Bei fehlerhafter Montage kann die Bremse versagen. Dies kann zum Verlust der Kontrolle über das Fahrrad sowie zu SCHWEREN ODER TÖDLICHEN VERLETZUNGEN führen.

8. Führen Sie die Bremsleitung oder die Bremszughülle der vorderen Scheibenbremse zur Innenseite des Tauchrohrs und durch die mitgelieferte Scheibenbremsen-Zughüllenführung. Ziehen Sie mit einem Drehmomentschlüssel die Scheibenbremsleitungs-Führungsschraube auf 0,9 N·m (8 in-lb) an.



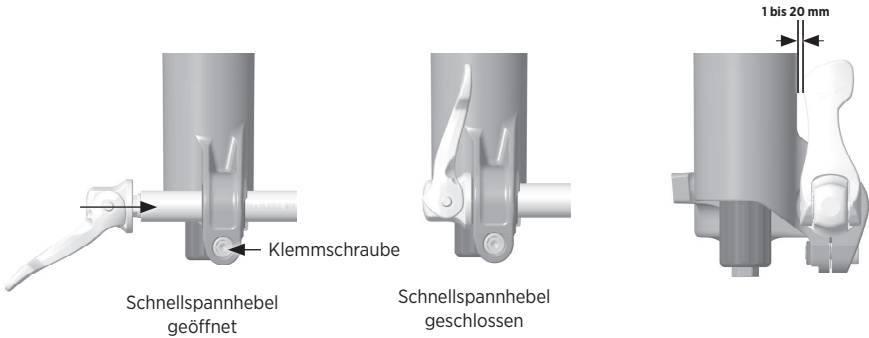
⚠ ACHTUNG

Ziehen Sie den Hebel nur von Hand fest. Verwenden Sie keine Werkzeuge, um den Schnellspannhebel festzuziehen. Wenn Sie die Schnellspannhebel zu fest anziehen, können die Achse oder die Gabelausfallenden beschädigt werden, was zum plötzlichen Versagen dieser Komponenten und somit zu SCHWEREN ODER TÖDLICHEN VERLETZUNGEN führen kann. Wenn Sie die Achse nicht ordnungsgemäß fixieren, kann sich das Laufrad während der Fahrt lösen, sodass die Gefahr von SCHWEREN ODER TÖDLICHEN VERLETZUNGEN besteht.

EINBAU DER 15-MM-SCHNELLSPANNACHSE

1. Lösen Sie die Klemmschraube und setzen Sie das Vorderrad in die Ausfallenden der Gabel ein. Schieben Sie die Achse durch das Ausfallende auf der Antriebsseite und die Nabe.
2. Öffnen Sie den Achshebel und die Klemmschraube.
3. Drehen Sie die Achse um 5 bis 6 volle Umdrehungen im Uhrzeigersinn in die Achsmutter.
4. Schließen Sie den Schnellspannhebel. Der Hebel muss genügend Spannung haben, um einen Abdruck auf Ihrer Hand zu hinterlassen.
5. Der Hebel muss sich in geschlossener Position 1 bis 20 mm vor dem Gabelbein befinden.
6. Wenn der Hebel nicht genügend oder zu viel Spannung hat, wenn er in der empfohlenen Position geschlossen ist (1 bis 20 mm vor der Gabel), befolgen Sie die Anweisungen zur Einstellung im nächsten Abschnitt.
7. Lassen Sie die Gabel einige Male einfedern, um sicherzustellen, dass sich das Tauchrohr am niedrigsten Reibungspunkt befindet.
8. Ziehen Sie die Klemmschraube am Ausfallende auf der Antriebsseite mit 5,1 N·m (45 in·lb) an.

WICHTIG: Sie brauchen die Klemmschraube nur beim ersten Einbau des Laufrads festzuziehen. Nachdem Sie die Klemmschraube festgezogen haben, können Sie die Schnellspannachse entfernen und wieder einsetzen, ohne die Klemmschraube zu lösen oder wieder festzuziehen. Wenn Sie Laufräder oder Naben wechseln, müssen Sie wahrscheinlich die Klemmschraube festziehen, indem Sie diese Montageanweisungen ab Schritt 1 befolgen.

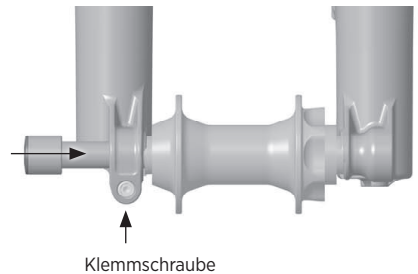


EINSTELLEN DES SCHNELLSPANNERS

1. Beachten Sie, in welche Richtung der Achshebel gedreht werden muss, um die richtige Ausrichtung zu erzielen.
2. Öffnen Sie den Achshebel in der Gabel.
3. Während Sie den Schnellspannhebel geöffnet und festhalten, sodass er sich nicht drehen kann, verwenden Sie einen 4-mm-Inbusschlüssel in der Mitte des Endes der Achse, um die Hebelposition einzustellen. Wenn der 4-mm-Einsteller ordnungsgemäß eingestellt ist, sollten Sie spüren, dass die Achse unter Spannung gesetzt wird, wenn sich der Schnellspannhebel 90 Grad vor dem vollständigen Schließen in der vertikalen Position befindet.
4. Wiederholen Sie die Schritte zum Einbau der Achse, um den ordnungsgemäßen Einbau und die korrekte Einstellung zu überprüfen.

EINBAU DER KABOLT-X-ACHSE

1. Lösen Sie die Klemmschraube und setzen Sie das Vorderrad in die Ausfallenden der Gabel ein. Schieben Sie die KaboltX-Achse durch das Ausfallende auf der Antriebsseite und die Nabe.
2. Ziehen Sie die KaboltX-Achse mit einem 6-mm-Inbusschlüssel im Uhrzeigersinn auf die in den Kopf der Achse eingezätzte Drehmomentspezifikation an.
3. Lassen Sie die Gabel einige Male einfedern, um sicherzustellen, dass sich das Tauchrohr am niedrigsten Reibungspunkt befindet.
4. Ziehen Sie die Klemmschraube am Ausfallende auf der Antriebsseite mit 5,1 N·m (45 in-lb) an.



ÜBERPRÜFUNG DES REIFENABSTANDS

⚠ ACHTUNG

Wenn ein Schutzblech oder Schmutzfänger vorgesehen ist, sollte es/er montiert sein, während der Reifenabstand überprüft wird.

1. Lassen Sie den gesamten Druck aus der Gabel ab, indem Sie das Schrader-Ventil öffnen.

⚠ ACHTUNG

FOX-Gabeln können hohe Luftdrücke enthalten. Lassen Sie vor dem Zerlegen den **GESAMTEN** Luftdruck aus der Hauptluftkammer ab. Andernfalls können Teile oder Flüssigkeiten aus der Gabel herausgeschleudert werden, was zu **SCHWEREN ODER TÖDLICHEN VERLETZUNGEN** führen kann.

2. Federn Sie die Gabel vollständig ein.
3. Messen Sie den Abstand zwischen den Seiten des aufgepumpten Reifens und dem Schutzblech/Schmutzfänger, der Gabelkrone, der Gabelbrücke und dem Gabelschaft. Der Freiraum muss um den gesamten Reifen herum **MINDESTENS 8,5 mm** betragen.

⚠ ACHTUNG

Wenn zwischen den Seiten des aufgepumpten Reifens und dem Schutzblech/Schmutzfänger, der Gabelkrone, der Gabelbrücke und dem Gabelschaft kein Freiraum von mindestens 8,5 mm vorhanden ist, kann der Reifen bei vollständig eingefederter Gabel die Gabelkrone berühren, was zu **SCHWEREN ODER TÖDLICHEN VERLETZUNGEN** führen kann.

4. Erhöhen Sie den Luftdruck mit einer FOX-Hochdruckpumpe auf die gewünschte Einstellung. Stellen Sie die Nachgiebigkeit wie in der Online-Anleitung auf www.ridefox.com beschrieben ein.
5. Sie müssen diese Prüfung **JEDES MAL** wiederholen, wenn Sie Reifen oder Felgen wechseln.

⚠ ACHTUNG

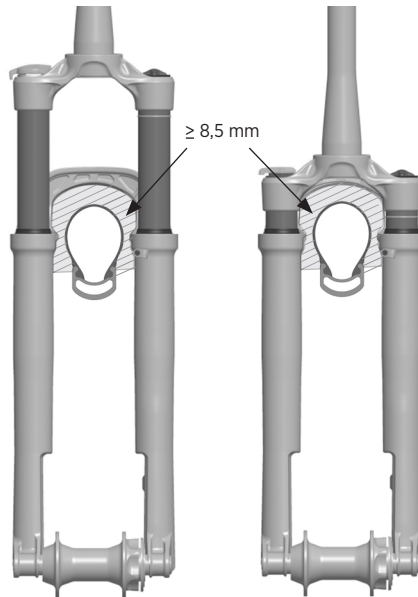
Überschreiten Sie nicht den maximalen Luftdruck:

Der maximale Luftdruck für die 38 FLOAT beträgt 8,3 bar (120 psi).

Der Mindestluftdruck beträgt:

2,7 bar (40 psi) für alle 38 FLOAT-Gabeln.

Der Druck ist bei einer Umgebungstemperatur von 21 bis 24 °C (70 bis 75 °F) zu messen. Der normale Betriebstemperaturbereich für FOX-Produkte beträgt -7 bis 60 °C (20 bis 140 °F).



LUFTFEDER-VOLUMENSPACER

Volumendistanzstücke ermöglichen bei FOX 38 FLOAT-Gabeln eine einfache interne Anpassung, mit der Sie den Federweg im mittleren Bereich und den Durchschlagswiderstand abstimmen können. Wenn Sie die Nachgiebigkeit richtig eingestellt haben und der gesamte Federweg (Durchschlagen) zu einfach erreicht wird, können Sie einen oder mehrere Spacer installieren, um den Durchschlagswiderstand zu erhöhen. Wenn der gesamte Federweg nicht erreicht wird, können Sie einen oder mehrere Spacer entfernen, um den Durchschlagswiderstand zu verringern.

1. Entfernen Sie die Luftventilkappe.
2. Lassen Sie den gesamten Druck aus der Gabel ab, indem Sie das Schrader-Ventil öffnen.

ACHTUNG

FOX-Gabeln können hohe Luftdrücke enthalten. Lassen Sie vor dem Zerlegen den GESAMTEN Luftdruck aus der Hauptluftkammer ab. Andernfalls können Teile oder Flüssigkeiten aus der Gabel herausgeschleudert werden, was zu SCHWEREN ODER TÖDLICHEN VERLETZUNGEN führen kann.

3. Lösen Sie die Abdeckkappe vorsichtig mit einem planen 32-mm-Sechskant-Steckschlüssel von der Gabel.
4. Ziehen Sie die Abdeckkappe nach oben, um die Abdeckkappen-Baugruppe von der Gabelkrone abzuheben.
5. Verschieben Sie den bzw. die Volumenspacer in horizontaler Richtung, um sie an der Abdeckkappe zu montieren oder davon zu entfernen.

ACHTUNG

Bauen Sie nicht mehr als die maximal für Ihre Gabel zulässige Anzahl an Spacern ein. Dies könnte die Gabel beschädigen. Informationen zu Volumenspacern finden Sie online unter www.ridefox.com.

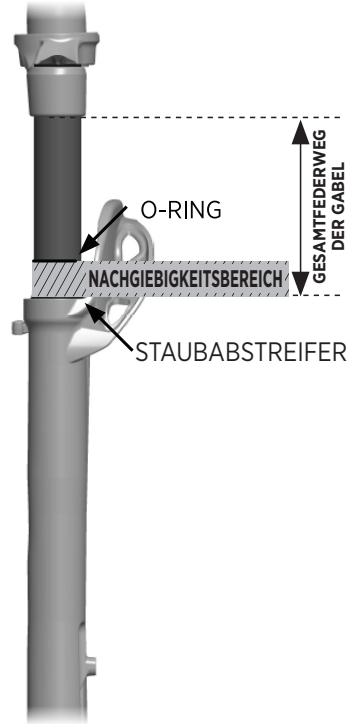
6. Setzen Sie die Abdeckkappe wieder in den Gabelkopf ein und ziehen Sie sie mit einem planen 32-mm-Sechskant-Steckschlüssel auf 24,8 N·m (220 in·lb) an.
7. Erhöhen Sie den Luftdruck mit einer FOX-Hochdruckpumpe auf die gewünschte Einstellung. Stellen Sie die Nachgiebigkeit wie in der Online-Anleitung auf www.ridefox.com beschrieben ein.

EINSTELLEN DER NACHGIEBIGKEIT

Um mit Ihrer FOX-Federung eine optimale Leistung zu erzielen, passen Sie den Luftdruck an, um die Nachgiebigkeit wie erforderlich einzustellen. Die Nachgiebigkeit ist der Weg, um den Ihre Federung durch Ihr Körpergewicht und die Fahrradkleidung einfedert. Die Nachgiebigkeit sollte auf 15 bis 20 % des **Gesamtfederwegs der Gabel** eingestellt werden.

Stellen Sie sicher, dass sich beim Einstellen der Nachgiebigkeit der Druckstufenhebel im OFFENEN Modus befindet.

Schauen Sie sich das Video zum Einstellen der Nachgiebigkeit unter ridefox.com/sagsetup an.



Empfohlene Nachgiebigkeitswerte		
Federweg	15 % Nachgiebigkeit (Hart)	20 % Nachgiebigkeit (Weich)
150 mm (5,5 in)	22 mm (0,9 in)	30 mm (1,2 in)
160 mm (5,9 in)	24 mm (1,0 in)	32 mm (1,3 in)
170 mm (6,7 in)	26 mm (1,0 in)	34 mm (1,3 in)
180 mm (5,9 in)	27 mm (1,0 in)	36 mm (1,4 in)



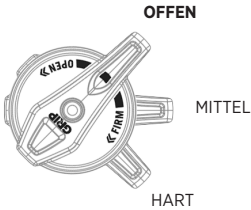
Überschreiten Sie nicht den maximalen Luftdruck:

Der maximale Luftdruck für die **38 FLOAT** beträgt **8,3 bar (120 psi)**.

Empfohlene Ausgangspunkte für die Einstellung der Nachgiebigkeit	
Fahrergewicht	38 FLOAT Druck
54-59 kg (120-130 lb)	5,0 bar (72 psi)
59-64 kg (130-140 lb)	5,2 bar (76 psi)
64-68 kg (140-150 lb)	5,5 bar (80 psi)
68-73 kg (150-160 lb)	5,8 bar (84 psi)
73-77 kg (160-170 lb)	6,1 bar (89 psi)
77-82 kg (170-180 lb)	6,4 bar (93 psi)
82-86 kg (180-190 lb)	6,7 bar (97 psi)
86-91 kg (190-200 lb)	7,0 bar (102 psi)
91-95 kg (200-210 lb)	7,3 bar (106 psi)
95-100 kg (210-220 lb)	7,6 bar (110 psi)
100-104 kg (220-230 lb)	7,9 bar (114 psi)
104-109 kg (230-240 lb)	8,2 bar (119 psi)
109-113 kg (240-250 lb)	8,5 bar (123 psi)

EINSTELLEN DER DRUCKSTUFE

DRUCKSTUFENEINSTELLUNG FÜR DIE GRIP



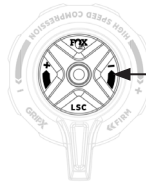
Der **3-Wege-Feineinstellhebel** ermöglicht schnelle Anpassungen des Federverhaltens der Gabel. Die Hebelpositionen zwischen dem OFFENEN, MITTLEREN und HARTEN Modus ermöglichen die Feinabstimmung der Druckstufendämpfung.

DRUCKSTUFENEINSTELLUNG FÜR DIE GRIP X

Verwenden Sie diese Grafik als Ausgangspunkt für die Druckstufeneinsteller. **Drehen Sie die Druckstufeneinsteller bis zum Anschlag (vollständig im Uhrzeigersinn) in die geschlossene Position. Drehen Sie die Einsteller dann (gegen den Uhrzeigersinn) die unten angegebene Anzahl von Klicks zurück.**



Die Einstellung der **Highspeed-Druckstufe** ermöglicht das Steuern des Federverhaltens der Gabel bei stärkeren Stößen, Landungen nach Sprüngen und an kantigen Unebenheiten.



Die Einstellung der **Lowspeed-Druckstufe** ermöglicht das Steuern des Federverhaltens der Gabel bei Verlagerungen des Fahrergewichts, beim Springen und bei langsamer Krafteinwirkung.

OFFEN
15 KLICKS



HIGHSPEED-DRUCKSTUFE (HSC)

GESCHLOSSEN
(VOLLSTÄNDIG IM UHRZEIGERSINN)

OFFEN
16 KLICKS



LOWSPEED-DRUCKSTUFE (LSC)

GESCHLOSSEN
(VOLLSTÄNDIG IM UHRZEIGERSINN)

GERINGSTE DRUCKSTUFENDÄMPFUNG; DÄMPFER FEDERT AM **WEICHSTEN** EIN

HÖCHSTE DRUCKSTUFENDÄMPFUNG; DÄMPFER FEDERT AM **HÄRTESTEN** EIN

DRUCKSTUFENEINSTELLUNG FÜR DIE GRIP X2

Verwenden Sie diese Grafik als Ausgangspunkt für die Druckstufeneinsteller. **Drehen Sie die Druckstufeneinsteller bis zum Anschlag (vollständig im Uhrzeigersinn) in die geschlossene Position. Drehen Sie die Einsteller dann (gegen den Uhrzeigersinn) die unten angegebene Anzahl von Klicks zurück.**



Die Einstellung der **Highspeed-Druckstufe** ermöglicht das Steuern des Federverhaltens der Gabel bei stärkeren Stößen, Landungen nach Sprüngen und an kantigen Unebenheiten.



Die Einstellung der **Lowspeed-Druckstufe** ermöglicht das Steuern des Federverhaltens der Gabel bei Verlagerungen des Fahrergewichts, beim Springen und bei langsamer Krafteinwirkung.

OFFEN
8 KLICKS



HIGHSPEED-DRUCKSTUFE (HSC)

GESCHLOSSEN
(VOLLSTÄNDIG IM UHRZEIGERSINN)

OFFEN
16 KLICKS



LOWSPEED-DRUCKSTUFE (LSC)

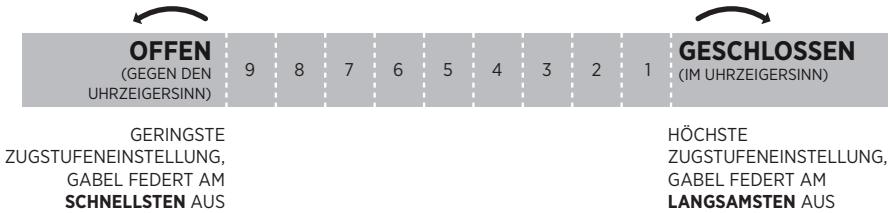
GESCHLOSSEN
(VOLLSTÄNDIG IM UHRZEIGERSINN)

GERINGSTE DRUCKSTUFENDÄMPFUNG;
DÄMPFER FEDERT AM **WEICHSTEN** EIN

HÖCHSTE DRUCKSTUFENDÄMPFUNG;
DÄMPFER FEDERT AM **HÄRTESTEN** EIN

EINSTELLEN DER ZUGSTUFE

Die **Zugstufe** legt die Geschwindigkeit fest, mit der die Gabel nach der Belastung ausfedert. Die Zugstufeneinstellung hängt von der Einstellung des Luftdrucks ab. Höhere Luftdrücke erfordern beispielsweise niedrigere Zugstufeneinstellungen. Bestimmen Sie Ihre Zugstufeneinstellung anhand des Luftdrucks. Der Zugstufeneinsteller befindet sich unter dem Gabelbein auf der Dämpferseite.

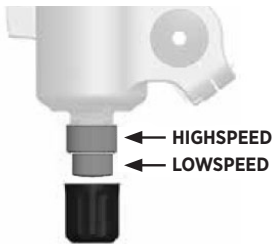


ZUGSTUFENEINSTELLUNG FÜR DIE GRIP/GRIP X



Drehen Sie den Zugstufeneinsteller in die geschlossene Position, d. h. bis zum Anschlag im Uhrzeigersinn. Drehen Sie ihn dann um die in der Tabelle auf der nächsten Seite angegebene Anzahl Klicks gegen den Uhrzeigersinn.

ZUGSTUFENEINSTELLUNG FÜR DIE GRIP X2



Drehen Sie den Zugstufeneinsteller in die geschlossene Position, d. h. bis zum Anschlag im Uhrzeigersinn. Drehen Sie ihn dann um die in der Tabelle auf der nächsten Seite angegebene Anzahl Klicks gegen den Uhrzeigersinn.

Die Einstellung der **Highspeed-Zugstufe** ermöglicht das Steuern des Federverhaltens der Gabel bei größeren Schlägen, Landungen und kantigen Unebenheiten.

Die Einstellung der **Lowspeed-Zugstufe** ermöglicht das Steuern des Federverhaltens der Gabel bei Verlagerungen des Fahrergewichts, beim Springen und bei langsamer Krafteinwirkung.

Empfohlene Ausgangspunkte für die Einstellung der Zugstufe

Druck	Zugstufeneinstellung			
	38 GRIP	38 GRIP X	38 GRIP X2 LSR	38 GRIP X2 HSR
5,0 bar (72 psi)	13	16	9	8
5,2 bar (76 psi)	12	14	8	7
5,5 bar (80 psi)	11	12	7	7
5,8 bar (84 psi)	10	10	7	6
6,1 bar (89 psi)	9	9	7	6
6,4 bar (93 psi)	8	8	7	5
6,7 bar (97 psi)	7	7	6	4
7,0 bar (102 psi)	6	6	5	4
7,3 bar (106 psi)	5	5	4	3
7,6 bar (110 psi)	4	4	3	2
7,9 bar (114 psi)	3	3	3	1
8,2 bar (119 psi)	2	2	2	0
8,5 bar (123 psi)	1	1	1	0

ZUSÄTZLICHE ABSTIMMUNGSOPTIONEN

CLIP-ON-VOLUMENSPACER

Volumendistanzstücke ermöglichen bei 38 FLOAT-Gabeln eine einfache interne Anpassung, mit der Sie den Federweg im mittleren Bereich und den Durchschlagswiderstand abstimmen können.

Wenn Sie die Nachgiebigkeit richtig eingestellt haben und der gesamte Federweg (Durchschlagen) zu einfach erreicht wird, können Sie einen oder mehrere Spacer installieren, um den Durchschlagswiderstand zu erhöhen.

Wenn Sie die Nachgiebigkeit richtig eingestellt haben und der gesamte Federweg nicht ausgenutzt wird, können Sie den Spacer entfernen, um den Durchschlagswiderstand zu verringern.

Einbauverfahren und Abstimmungsoptionen sind online verfügbar unter: ridefox.com/ownersmanuals

Konfigurationen für 38 FLOAT-Volumendistanzstücke		
Federweg	Ab Werk installierte Volumenspacer	* Max. Anzahl Volumenspacer
180 mm	1	4
170 mm	2	5
160 mm	3	6
150 mm	4	6

Konfigurationen für 38 FLOAT E-Bike+-Volumendistanzstücke		
Federweg	Ab Werk installierte Volumenspacer	* Max. Anzahl Volumenspacer
180 mm	2	4
170 mm	3	5
160 mm	4	6
150 mm	5	6

WARTUNG

Die ordnungsgemäße Reinigung Ihres FOX-Produkts zwischen den Fahrten und die regelmäßige Wartung tragen dazu bei, die Reparaturkosten zu senken und die Haltbarkeit des Produkts zu verlängern.

Weitere Informationen zu Wartungsverfahren finden Sie unter www.ridefox.com/OwnersManuals oder erkundigen Sie sich bei FOX nach unserem umfassenden Wartungsservice (**1.800.369.7469** oder mtbservice@ridefox.com).

Minimal empfohlene Wartungsmaßnahmen	Vor jeder Fahrt	Nach jeder Fahrt	Regelmäßig	Alle 125 Stunden oder jährlich (der frühere Zeitpunkt gilt)*
Überprüfen Sie sorgfältig das Äußere der Gabel/ des Dämpfers. Wenn Sie Beschädigungen feststellen, dürfen Sie die Gabel/den Dämpfer nicht benutzen. Wenden Sie sich zur Reparatur an Ihren Händler oder an FOX.	X			
Stellen Sie sicher, dass die Schnellspannhebel und -achsen ordnungsgemäß eingestellt und angezogen sind.	X			
Überprüfen Sie die Einstellung des Steuersatzes. Wenn der Steuersatz sich gelöst hat, ziehen Sie ihn gemäß den Herstelleranweisungen fest.	X			
Vergewissern Sie sich, dass alle Bremszüge bzw. -leitungen ordnungsgemäß befestigt sind. Überprüfen Sie die ordnungsgemäße Funktion der Vorderrad- und Hinterradbremse auf ebener Strecke.	X			
Reinigen Sie die Komponenten von außen nur mit milder Seife und Wasser; trocknen Sie sie dann mit einem trockenen, weichen Tuch ab. Verwenden Sie keinen Hochdruckreiniger und sprühen Sie kein Wasser direkt auf den Übergang zwischen Dichtung und Dämpferkörper.		X		
Überprüfen Sie die Nachgiebigkeits- und Dämpfereinstellungen. Überprüfen Sie die Bedienelemente auf sichtbare Schäden und ordnungsgemäße Funktion.			X	
Vollständige Wartung (vollständige innere/ äußere Inspektion, Dämpferüberholung, Austausch von Luftdichtungen bei Luftgabeln, Luftfederüberholung, Ölwechsel und Erneuerung der Staubabstreifer).				X

* Für liftgestütztes Downhill, Downhill-Parks oder Extreme Freeride sowie bei extrem feuchten/schlammigen oder trockenen/staubigen Fahrbedingungen, wenn Schlamm und Staub während der Fahrt gegen die Gabel und den Dämpfer spritzen, empfiehlt FOX, die Wartung in kürzeren Abständen als oben aufgeführt durchzuführen. Wenn Sie etwas Ungewöhnliches hören, sehen oder spüren, steigen Sie sofort vom Fahrrad und wenden Sie sich an ein zugelassenes FOX Service-Center, um Ihre Gabel warten zu lassen.

WEITERE INFORMATIONEN UND VIDEOS UNTER:
ridefox.com

FOX Factory, Inc., eine Corporation des Staates Kalifornien mit Sitz in 915 Disc Drive, Scotts Valley, CA 95066 („FOX“), gewährt auf seine Federungsprodukte die folgende EINGESCHRÄNKTE GARANTIE:
EINGESCHRÄNKTE GARANTIE VON FOX

EINGESCHRÄNKTE EIN (1)-JÄHRIGE GARANTIE AUF FEDERUNGSPRODUKTE

Gemäß den hier dargelegten Beschränkungen und Bestimmungen gewährleistet Fox gegenüber dem Originalkäufer jedes neuen Fox-Federungsprodukts, dass das Fox-Federungsprodukt im Neuzustand frei von Material- und Herstellungsfehlern ist. Der Garantiezeitraum endet ein (1) Jahr nach dem Datum des Kaufs des Original-Fox-Federungsprodukts im Einzelhandel bei einem zugelassenen Fox-Händler oder einem von Fox zugelassenen Originalhersteller, wenn die Fox-Federung als Originalausstattung an einem gekauften Fahrrad erworben wird.

GARANTIEBEDINGUNGEN

Diese eingeschränkte Garantie gilt für das Fox-Federungsprodukt, sofern es unter normalen Bedingungen und wie von Fox vorgeschrieben ordnungsgemäß gewartet wird. Diese eingeschränkte Garantie gilt nur für Fox-Federungsprodukte, die neu von einem zugelassenen Fox-Händler gekauft wurden, und wird nur dem Erstkäufer (Verbraucher) des neuen Fox-Federungsprodukts gewährt. Sie ist nicht auf nachfolgende Besitzer übertragbar.

Sollte durch Fox nach seinem alleinigen und endgültigen Ermessen festgestellt werden, dass ein Fox-Federungsprodukt von dieser eingeschränkten Garantie gedeckt ist, wird es nach alleiniger, endgültiger und verbindlicher Entscheidung von Fox repariert oder durch ein vergleichbares Modell ersetzt. WEITERGEHENDE ANSPRÜCHE GEMÄSS DIESER EINGESCHRÄNKTEN GARANTIE SIND AUSGESCHLOSSEN. JEDLICHE SONSTIGEN ANSPRÜCHE UND SCHADENERSATZFORDERUNGEN, DIE GEMÄSS DIESER EINGESCHRÄNKTEN GARANTIE SONSTIG ANWENDBAR SEIN KÖNNEN, WERDEN AUSGESCHLOSSEN, EINSCHLIESSLICH, JEDOCH NICHT BESCHRÄNKTE AUF DIE HAFTUNG FÜR ZUFÄLLIGE ODER FOLGESCHÄDEN SOWIE BUSSGELDER.

Diese eingeschränkte Garantie gilt nicht für Schäden infolge von normalem Verschleiß sowie Fehlfunktionen oder Ausfälle, die infolge von Missbrauch, fehlerhafter Montage, Fahrlässigkeit, Veränderungen, unsachgemäßer Wartung, Unfällen, unsachgemäßem Gebrauch oder Kollisionen entstehen.

Diese eingeschränkte Garantie räumt dem Kunden spezifische Rechte ein. Dem Kunden stehen gemäß nationalen Gesetzen möglicherweise Rechte zu, die von dieser eingeschränkten Garantie nicht betroffen sind. Wenn ein zuständiges Gericht aus jeglichem Grund eine Bestimmung dieser eingeschränkten Garantie als unwirksam erachtet, wirkt sich dies nicht auf die anderen Bestimmungen dieser eingeschränkten Garantie aus, und sämtliche anderen Bestimmungen bleiben wirksam.

DIES IST DIE EINZIGE GARANTIE, DIE FOX AUF SEINE FEDERUNGSPRODUKTE UND -KOMPONENTEN GEWÄHRT. JEDLICHE GARANTIE, DIE ÜBER DIE HIER BESCHRIEBENEN HINAUSGEHEN, WERDEN AUSGESCHLOSSEN. JEDLICHE KONKLUDENTEN GESETZLICHEN GARANTIE, INSBESONDERE JEDLICHE KONKLUDENTE GARANTIE DER MARKTGÄNGIGKEIT ODER EIGNUNG FÜR EINEN BESTIMMTEN ZWECK, WERDEN AUSGESCHLOSSEN.

Diese eingeschränkte Garantie unterliegt ausschließlich der Gesetzgebung des US-Bundesstaates Kalifornien.

Um einen Garantieanspruch im Rahmen dieser eingeschränkten Garantie geltend zu machen, müssen Sie Folgendes in einem zugelassenen FOX Service-Center vorlegen bzw. an ein zugelassenes FOX Service-Center senden:

1. Das Produkt (oder das betroffene Teil) und
2. Eine Kopie des Originalkaufbelegs, auf welcher der Name und die Anschrift des Verkäufers, der Kaufort und das Kaufdatum, die Produktteilenummer und gegebenenfalls eine Seriennummer angegeben sind. Wenn FOX Produkte als Teil eines kompletten Fahrrads verkauft werden, sind die Marke des Fahrrads, das Modell, das Modelljahr und die Seriennummer anzugeben.

¡ENHORABUENA!

Gracias por elegir un producto de suspensión FOX para su bicicleta. Todos los productos de suspensión FOX han sido diseñados, probados y fabricados por los mejores profesionales del sector, en el condado de Santa Cruz, California, EE. UU.

Para una adecuada instalación, utilización y mantenimiento de su nuevo producto FOX, siga las instrucciones y recomendaciones que se ofrecen en esta guía del propietario.

Dispone de más información y vídeos en <http://www.ridefox.com/OwnersManuals>; también puede llamar al teléfono de FOX US 1.800.369.7469, enviar un correo electrónico a mtbservice@ridefox.com o ponerse en contacto con alguno de los centros internacionales de servicio técnico autorizados de FOX, cuyos datos se detallan en la página <http://www.ridefox.com/GlobalDistributors>. Si no dispone de acceso a Internet, póngase en contacto con FOX para solicitar gratuitamente una copia impresa del manual del propietario de FOX en línea.

ADVERTENCIA E INFORMACIÓN DE SEGURIDAD

Los productos FOX deben ser instalados por un técnico de mantenimiento de bicicletas profesional, siguiendo las especificaciones de instalación de FOX. Una horquilla mal instalada puede fallar, provocando la pérdida de control de la bicicleta, lo que puede ocasionar LESIONES GRAVES O LA MUERTE.

La modificación o alteración de productos FOX puede provocar el fallo del producto y ocasionar LESIONES GRAVES O LA MUERTE. No modifique ni altere nunca NINGUNA pieza de un producto FOX (ya sean los resortes helicoidales, la cruceta del brazo inferior, la corona, el tubo de dirección, los tubos superiores, el brazo inferior, la lata de aire, la tija de sillín, los espaciadores de volumen de aire, las piezas internas, las cuñas metálicas adaptadoras para el eje, los adaptadores de eje o cualquier otra pieza).

Los productos de suspensión para bicicletas FOX se pueden utilizar también en bicicletas eléctricas de Clase 1 (según la denominación estadounidense) y L1e-A (según la denominación europea).

Los productos de suspensión FOX E-BIKE+ pueden utilizarse en bicicletas eléctricas de Clase 3 (según la denominación estadounidense) y L1e-B (según la denominación europea).

NO UTILICE ningún producto de suspensión para bicicletas FOX en ningún vehículo a motor o bicicleta motorizada con pedaleo asistido cuya velocidad máxima en modo asistido supere los 32 km/h (20 mph) o cuyo peso máximo de sistema sea superior a 140 kg (308 lb).

NO UTILICE ningún producto de suspensión FOX E-BIKE+ en ningún vehículo a motor o bicicleta motorizada con pedaleo asistido cuya velocidad máxima en modo asistido supere los 45 km/h (28 mph) o cuyo peso máximo de sistema sea superior a 169 kg (372 lb). NO

utilice ningún producto de suspensión para bicicletas FOX en vehículos motorizados equipados con acelerador.

El uso incorrecto de los productos de suspensión FOX puede provocar el fallo de la suspensión, lo que a su vez puede ocasionar daños a la propiedad, LESIONES GRAVES O LA MUERTE, y anulará la garantía.

NO utilice los productos de suspensión para bicicletas FOX en vehículos que transporten a más de una persona, como una bicicleta tándem o una bicicleta de uso pesado.

No retire ni vuelva a colocar el tubo de dirección. Podría provocar la pérdida de control de la bicicleta y ocasionar LESIONES GRAVES O LA MUERTE.

No intente extraer ni sustituir el tubo de dirección o los tubos superiores por separado de la corona. Modificar piezas integradas como la corona, el tubo de dirección o los tubos superiores puede dar lugar a un fallo de todo el conjunto que ocasione la pérdida de control de la bicicleta, provocando LESIONES GRAVES O LA MUERTE.

No corte el tubo de dirección más de tres (3) mm por debajo de la pieza instalada más arriba. Si por error corta demasiado el tubo de dirección, DEBERÁ SUSTITUIR el conjunto de corona/tubo de dirección/tubo superior. El uso de una horquilla con un acoplamiento con el tubo de dirección demasiado corto puede ocasionar un fallo repentino de la horquilla, lo que puede causar la pérdida de control de la bicicleta y provocar LESIONES GRAVES O LA MUERTE.

Si el tubo de dirección tiene muescas o estrías, las cuales se pueden percibir al pasar la uña, deberá cambiar el conjunto de la corona/tubo de dirección. Una muesca o estría podría producir el fallo del tubo de dirección, lo que puede ocasionar la pérdida de control de la bicicleta y provocar LESIONES GRAVES O LA MUERTE.

No intente nunca crear roscas en los tubos de dirección sin rosca de las horquillas FOX. Crear roscas en un tubo de dirección sin rosca puede provocar el fallo del tubo de dirección, que ocasionaría la pérdida de control de la bicicleta y podría causar LESIONES GRAVES O LA MUERTE.

No utilice nunca más de 30 mm de espaciadores por debajo de la potencia, ya que esto podría ocasionar el fallo del tubo de dirección y causar LESIONES GRAVES O LA MUERTE.

No deje nunca que elementos como el cable o la funda del cable entren en contacto con el tubo de dirección de la horquilla. Si en su bicicleta los cables y su funda van por dentro, consulte las instrucciones de seguridad de la guía del propietario del fabricante de la bicicleta. Si el cable o su funda entran en contacto con el tubo de dirección, este podría averiarse, lo que ocasionaría la pérdida de control de la bicicleta y podría causar LESIONES GRAVES O LA MUERTE.

Si la funda del cable toca la corona de la horquilla, con el tiempo acabará dañando la corona por abrasión. Si no es posible evitar el contacto entre los componentes, cubra el punto de contacto con cinta aislante o una protección similar. La garantía FOX no cubre los daños por abrasión que pueda sufrir la horquilla FOX.

Un mantenimiento inadecuado o el uso de recambios no originales en las horquillas y amortiguadores FOX pueden provocar fallos de funcionamiento en el producto que ocasionen LESIONES GRAVES O LA MUERTE.

Dado que pueden haberse acumulado residuos y suciedad entre las aberturas del eje de la horquilla, antes de instalar la rueda, compruebe y limpie siempre toda esa zona. Una instalación incorrecta del eje y el buje puede provocar LESIONES GRAVES O LA MUERTE.

No utilice nunca máquinas de lavado a presión para limpiar los productos FOX.

Si la horquilla pierde aceite, hace tope excesivamente por arriba o por abajo o emite ruidos extraños, póngase en contacto inmediatamente con FOX o con un centro de servicio técnico autorizado de FOX para efectuar las inspecciones o reparaciones necesarias.

Para instalar y ajustar correctamente el sistema de frenos, siga las instrucciones del fabricante de los frenos. No instalar y ajustar correctamente los frenos puede provocar la pérdida de control de la bicicleta y ocasionar LESIONES GRAVES O LA MUERTE.

La horquilla o el amortiguador pueden fallar ante cualquier situación que doble alguna de sus piezas o provoque su rotura. Cualquier situación que provoque la pérdida de aire o aceite, por ejemplo, una colisión o un largo periodo de inactividad, también puede dar lugar a un fallo del amortiguador o la horquilla. Un amortiguador o una horquilla dañados o con fugas pueden fallar, causar un accidente y provocar LESIONES GRAVES O LA MUERTE. Si sospecha que su horquilla o amortiguador están dañados, deje de montar inmediatamente y póngase en contacto con FOX para que los inspeccionen y reparen.

Los portabicicletas que sujetan la bicicleta por la horquilla pueden dañar los brazos de la horquilla o sus punteras, especialmente si la horquilla está sometida a cargas laterales o si la rueda trasera no va fijada al portabicicletas. Una horquilla con sus brazos o punteras dañados puede llegar a fallar y provocar un accidente con LESIONES GRAVES O LA MUERTE. Si sospecha que la horquilla está dañada, póngase en contacto con FOX para su inspección y reparación.

INSTALACIÓN DE LA HORQUILLA

1. Retire la horquilla antigua de la bicicleta. Retire la pista de rodadura de la corona de la antigua horquilla. Mida la longitud del tubo de dirección de la antigua horquilla y traslade esa medida al tubo de dirección de la nueva horquilla FOX. Si no tiene la horquilla antigua, mida la altura de la pila del juego de dirección (piezas del juego de dirección y tubo de cabeza del cuadro) y consulte las instrucciones del fabricante de la potencia para garantizar que habrá una superficie de acoplamiento suficiente para la potencia.
2. Marque el tubo de dirección y córtelo a la longitud adecuada.

⚠ ADVERTENCIA

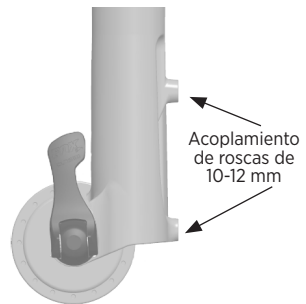
Antes de cortar, consulte las instrucciones del fabricante del juego de dirección y de la potencia a fin de asegurarse de que quedará una longitud suficiente de tubo de dirección para conseguir un correcto acoplamiento con la potencia. Una instalación incorrecta puede provocar que la potencia se separe del tubo de dirección, lo que ocasionaría la pérdida de control de la bicicleta y podría provocar LESIONES GRAVES O LA MUERTE.

3. Instale el juego de dirección. Utilice siempre un juego de dirección sin rosca nuevo y siga las instrucciones del fabricante.
4. Instale una pista de rodadura de la corona de 39,8 mm en los tubos de dirección de 1 1/2 pulg. Utilice un dispositivo de montaje de pistas de rodadura de la corona para instalar la pista firmemente contra la parte superior de la corona.
5. Utilizando una herramienta para tuercas en estrella, instale la tuerca en estrella dejándola entre 4 y 10 mm por debajo del extremo superior del tubo de dirección.
6. Instale la horquilla en la bicicleta. Instale la potencia y las piezas de rodamiento del juego de dirección siguiendo las instrucciones del fabricante del juego de dirección; a continuación, ajuste adecuadamente la precarga del juego de dirección hasta que deje de notar holgura o un arrastre excesivo del rodamiento. Apriete los pernos de acoplamiento en la potencia, siguiendo las especificaciones de par indicadas por el fabricante de la potencia.
7. Instale los frenos siguiendo las instrucciones del fabricante del freno. El tamaño máximo del rotor es de 230 mm.

⚠ ADVERTENCIA

Los pernos de fijación de la pinza de freno de disco deben quedar enroscados en la horquilla entre 10 y 12 mm. Utilice una llave dinamométrica para apretar los pernos de fijación de la pinza de freno de disco siguiendo las instrucciones del fabricante del freno, pero sin superar los 10,2 N·m (90 pulg·lb). Una instalación incorrecta puede provocar un fallo de frenado, ocasionar la pérdida de control de la bicicleta y causar LESIONES GRAVES O LA MUERTE.

8. Pase el manguito o la funda del cable del freno de disco delantero por dentro del brazo inferior, a través de la guía provista. Con una llave dinamométrica, apriete el tornillo de la guía del manguito del freno de disco a un par de 0,9 N·m (8 pulg·lb).



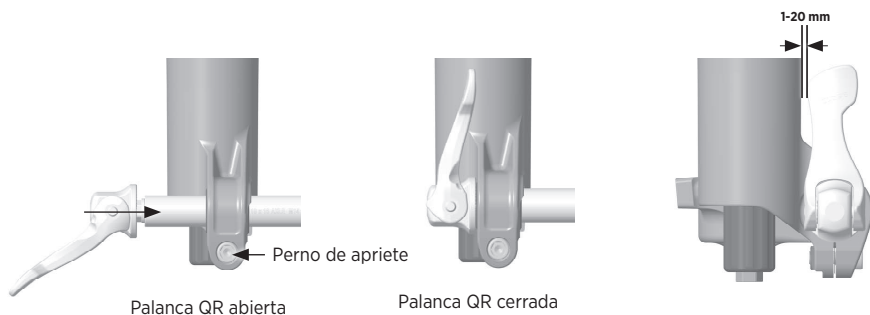
⚠ ADVERTENCIA

Presione únicamente con la mano. No use ninguna herramienta para apretar la palanca de cierre rápido. Si aprieta demasiado la palanca, podría dañar el eje o las punteras de la horquilla, lo que podría ocasionar un fallo súbito de uno o varios de estos componentes y provocar LESIONES GRAVES O LA MUERTE. Si el eje no está bien sujeto, la rueda podría desprenderse de la bicicleta, lo que podría ocasionar LESIONES GRAVES O LA MUERTE.

INSTALACIÓN DEL CIERRE RÁPIDO (QR) DE 15 MM

1. Afloje el perno de apriete e instale la rueda delantera en las punteras de la horquilla. Introduzca el eje a través del buje y de la puntera del lado motriz.
2. Abra la palanca del eje y el perno de apriete.
3. Enrosque el eje en su tuerca entre 5 y 6 vueltas completas en sentido horario.
4. Cierre la palanca. La palanca debe estar lo bastante dura como para dejar una marca en la mano.
5. La palanca en su posición cerrada debe quedar entre 1 y 20 mm por delante del brazo de la horquilla.
6. Si una vez cerrada en la posición recomendada (entre 1 y 20 mm por delante de la horquilla) la palanca no está lo bastante dura, o lo está demasiado, realice los ajustes que se indican en el apartado siguiente.
7. Comprima la horquilla un par de veces para asegurarse de que el brazo inferior haya quedado asentado en su punto de mínima fricción.
8. Apriete el perno de apriete de la puntera del lado motriz a un par de 5,1 N·m (45 pulg·lb).

IMPORTANTE: Solo tendrá que apretar el perno de apriete durante la primera instalación de la rueda. Posteriormente, puede quitar el eje QR y reemplazarlo sin tener que aflojar ni volver a apretar el perno de apriete. Si está cambiando las ruedas o los bujes, es probable que deba ajustar el perno de apriete siguiendo estas instrucciones de instalación a partir del paso 1.

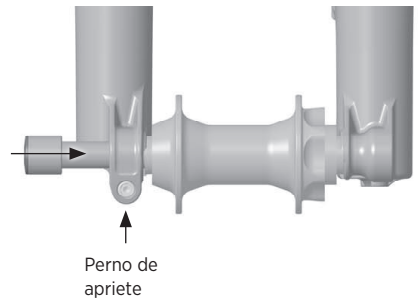


AJUSTE DEL CIERRE RÁPIDO

1. Observe en qué dirección debe girar la palanca del eje para alcanzar la orientación correcta.
2. Abra la palanca del eje de la horquilla.
3. Mientras mantiene la palanca QR abierta y sujeta para que no pueda girar, use una llave Allen de 4 mm en el centro del extremo del eje para ajustar la posición de la palanca. Con el ajustador de 4 mm correctamente colocado, debería empezar a sentir tensión en el eje cuando la palanca QR esté a 90 grados del cierre total en posición vertical.
4. Repita las instrucciones de instalación del eje para comprobar que la instalación y el ajuste se han realizado correctamente.

INSTALACIÓN DE KABOLT X

1. Afloje el perno de apriete e instale la rueda delantera en las punteras de la horquilla. Introduzca el eje KaboltX a través del buje y de la puntera del lado motriz.
2. Utilice una llave Allen de 6 mm para apretar el eje KaboltX en sentido horario a la especificación de par grabada en la cabeza del Kabolt.
3. Comprima la horquilla un par de veces para asegurarse de que el brazo inferior haya quedado asentado en su punto de mínima fricción.
4. Apriete el perno de apriete de la puntera del lado motriz a un par de 5,1 N·m (45 pulg-lb).



COMPROBACIÓN DE LA SEPARACIÓN RESPECTO AL NEUMÁTICO

⚠ ADVERTENCIA

Si va a utilizar un guardabarros, debería comprobar el espacio de separación del neumático mientras lo instala.

1. Libere toda la presión de aire de la horquilla; para ello, presione la válvula Schrader.

⚠ ADVERTENCIA

Las horquillas FOX pueden contener aire a alta presión. Antes de desmontarlas, libere TODA la presión de la cámara de aire principal. De lo contrario, podrían salir disparadas algunas piezas o líquido de la horquilla, lo cual puede provocar LESIONES GRAVES O LA MUERTE.

2. Comprima a tope la horquilla.
3. Mida la distancia entre los bordes del neumático inflado y el guardabarros, la corona, la cruceta de la horquilla y el tubo de dirección. Debe quedar COMO MÍNIMO una separación de 8,5 mm alrededor de todo el neumático.

⚠ ADVERTENCIA

Si no se dejan al menos 8,5 mm de separación entre el borde del neumático inflado y el guardabarros, la corona, la cruceta de la horquilla y el tubo de dirección, el neumático podría atascarse contra la corona cuando la horquilla se comprima por completo, lo cual podría ocasionar LESIONES GRAVES O LA MUERTE.

4. Aumente la presión de aire hasta el nivel deseado con una bomba de alta presión FOX. Ajuste el hundimiento siguiendo las instrucciones en línea que encontrará en www.ridefox.com.
5. Deberá repetir esta prueba CADA VEZ que cambie de neumático o de llanta.

⚠ ADVERTENCIA

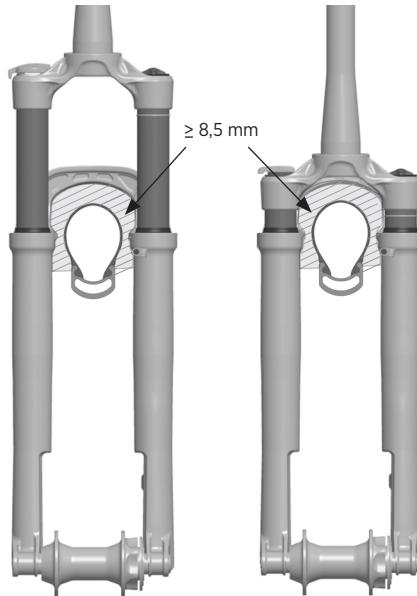
No supere la presión de aire máxima:

La presión de aire máxima de 38 FLOAT es 8,3 bar (120 psi).

Presión de aire mínima:

2,7 bar (40 psi) para todas las horquillas 38 FLOAT.

Presión medida a una temperatura ambiente entre 21 y 24 °C (70 y 75 °F). El intervalo normal de temperatura de funcionamiento de los productos FOX es de -7 a 60 °C (20 a 140 °F).



ESPACIADORES DE VOLUMEN DEL RESORTE NEUMÁTICO

La sustitución de espaciadores de volumen en las horquillas FOX 38 FLOAT es un ajuste interno muy sencillo que permite variar el grado de resistencia de la horquilla a media carrera y a fondo. Si a pesar de haber ajustado correctamente el hundimiento, se utiliza todo el recorrido con demasiada facilidad, puede instalar uno o varios espaciadores para aumentar la resistencia de alcance del fondo. Si no se utiliza todo el recorrido, puede retirar uno o varios espaciadores para reducir la resistencia de alcance del fondo.

1. Quite el tapón de aire.
2. Libere toda la presión de aire de la horquilla; para ello, presione la válvula Schrader.

ADVERTENCIA

Las horquillas FOX pueden contener aire a alta presión. Antes de desmontarlas, libere TODA la presión de la cámara de aire principal. De lo contrario, podrían salir disparadas algunas piezas o líquido de la horquilla, lo cual puede provocar LESIONES GRAVES O LA MUERTE.

3. Desenrosque con cuidado la tapa superior de la horquilla con un vaso hexagonal no biselado de 32 mm.
4. Tire hacia arriba del conjunto de la tapa superior para separarlo de la corona de la horquilla.
5. Deslice horizontalmente o retire espaciadores de volumen de aire de la tapa superior.

ADVERTENCIA

No supere el número máximo de espaciadores de volumen para la horquilla. Podría dañar la horquilla. Puede encontrar información sobre los espaciadores de volumen en línea en www.ridefox.com.

6. Vuelva a instalar el conjunto de la tapa superior en la corona de la horquilla y apriételo a 24,8 N·m (220 pulg-lb) con un vaso hexagonal no biselado de 32 mm.
7. Aumente la presión de aire hasta el nivel deseado con una bomba de alta presión FOX. Ajuste el hundimiento siguiendo las instrucciones en línea que encontrará en www.ridefox.com.

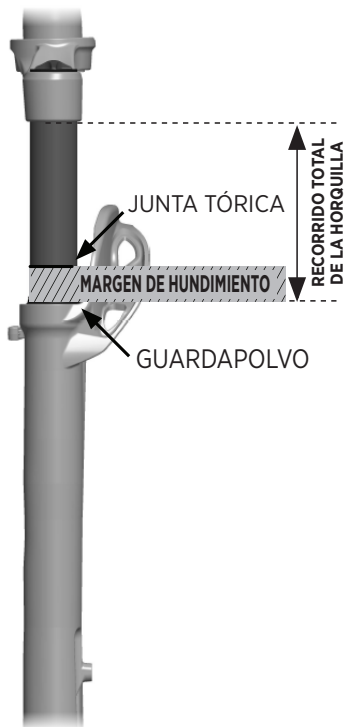
AJUSTE DEL HUNDIMIENTO

Para que su suspensión FOX funcione a pleno rendimiento, regule la presión de aire para obtener el ajuste de hundimiento adecuado. El hundimiento es el grado de compresión que experimenta la suspensión bajo el peso del propio ciclista y de su indumentaria. El margen de hundimiento debe ajustarse a una amplitud de entre el 15 y el 20 % del recorrido total de la horquilla.

Asegúrese de ajustar el hundimiento con la palanca de compresión en modo OPEN.

Vea el video de configuración del hundimiento en ridefox.com/sagsetup.

Valores recomendados de hundimiento		
Recorrido	15 % de hundimiento (firme)	20 % de hundimiento (blando)
150 mm (5,5 pulg.)	22 mm (0,9 pulg.)	30 mm (1,2 pulg.)
160 mm (5,9 pulg.)	24 mm (1,0 pulg.)	32 mm (1,3 pulg.)
170 mm (6,7 pulg.)	26 mm (1,0 pulg.)	34 mm (1,3 pulg.)
180 mm (7,0 pulg.)	27 mm (1,0 pulg.)	36 mm (1,4 pulg.)



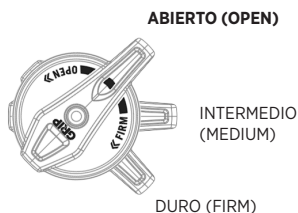
No supere la presión de aire máxima:

La presión de aire máxima de **38 FLOAT** es **8,3 bar (120 psi)**.

Valores de partida recomendados para ajustar el hundimiento	
Peso del ciclista	Presión de 38 FLOAT/E-Bike+
54-59 kg (120-130 lb)	5,0 bar (72 psi)
59-64 kg (130-140 lb)	5,2 bar (76 psi)
64-68 kg (140-150 lb)	5,5 bar (80 psi)
68-73 kg (150-160 lb)	5,8 bar (84 psi)
73-77 kg (160-170 lb)	6,1 bar (89 psi)
77-82 kg (170-180 lb)	6,4 bar (93 psi)
82-86 kg (180-190 lb)	6,7 bar (97 psi)
86-91 kg (190-200 lb)	7,0 bar (102 psi)
91-95 kg (200-210 lb)	7,3 bar (106 psi)
95-100 kg (210-220 lb)	7,6 bar (110 psi)
100-104 kg (220-230 lb)	7,9 bar (114 psi)
104-109 kg (230-240 lb)	8,2 bar (119 psi)
109-113 kg (240-250 lb)	8,5 bar (123 psi)

AJUSTE DE LA COMPRESIÓN

AJUSTE DE LA COMPRESIÓN DEL GRIP



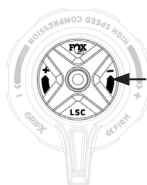
La palanca de **microajuste de 3 posiciones** sirve para realizar ajustes sobre la marcha con el fin de controlar el comportamiento de la horquilla. Utilice las posiciones entre los modos abierto (OPEN), intermedio (MEDIUM) y duro (FIRM) para realizar un ajuste fino de la amortiguación de compresión.

AJUSTE DE LA COMPRESIÓN DEL GRIP X

Utilice este diagrama como punto de partida para los ajustadores de compresión. **Gire a tope los ajustadores de compresión a la posición cerrada (totalmente en sentido horario). A continuación, gírelos (en sentido antihorario) el número de clics que se indica a continuación.**



El ajuste de **compresión a alta velocidad** resulta útil para controlar el comportamiento de la horquilla ante impactos más pronunciados, al aterrizar, o al impactar con bordillos o baches con bordes en ángulo recto.



El ajuste de **compresión a baja velocidad** resulta útil para controlar el comportamiento de la horquilla ante desplazamientos del cuerpo del ciclista, al clavar los frenos o comprimir totalmente la suspensión ante desaceleraciones bruscas por cambios de inclinación del terreno (G-outs) y otras acciones lentas.

ABIERTO
15 CLICS



COMPRESIÓN DE ALTA VELOCIDAD (HSC)

CERRADO
(A TOPE EN SENTIDO HORARIO)

ABIERTO
16 CLICS



COMPRESIÓN DE BAJA VELOCIDAD (LSC)

CERRADO
(A TOPE EN SENTIDO HORARIO)

MENOR CANTIDAD DE AMORTIGUACIÓN DE COMPRESIÓN; COMPRESIÓN DE LA HORQUILLA **MÁS LIGERA**

MAYOR CANTIDAD DE AMORTIGUACIÓN DE COMPRESIÓN; COMPRESIÓN DE LA HORQUILLA **MÁS FIRME**

AJUSTE DE LA COMPRESIÓN DEL GRIP X2

Utilice este diagrama como punto de partida para los ajustadores de compresión. **Gire a tope los ajustadores de compresión a la posición cerrada (totalmente en sentido horario). A continuación, gírelos (en sentido antihorario) el número de clics que se indica a continuación.**



El ajuste de **compresión a alta velocidad** resulta útil para controlar el comportamiento de la horquilla ante impactos más pronunciados, al aterrizar, o al impactar con bordillos o baches con bordes en ángulo recto.



El ajuste de **compresión a baja velocidad** resulta útil para controlar el comportamiento de la horquilla ante desplazamientos del cuerpo del ciclista, al clavar los frenos o comprimir totalmente la suspensión ante desaceleraciones bruscas por cambios de inclinación del terreno (G-outs) y otras acciones lentas.

ABIERTO
8 CLICS



COMPRESIÓN DE ALTA VELOCIDAD (HSC)

CERRADO
(A TOPE EN SENTIDO HORARIO)

ABIERTO
16 CLICS



COMPRESIÓN DE BAJA VELOCIDAD (LSC)

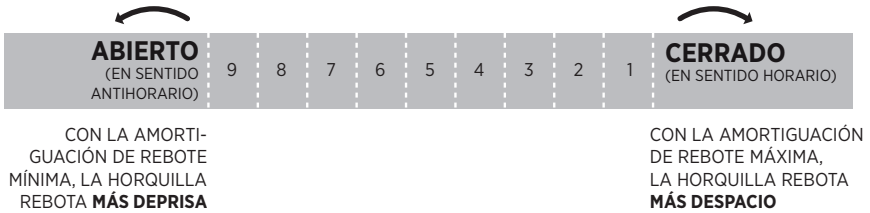
CERRADO
(A TOPE EN SENTIDO HORARIO)

MENOR CANTIDAD DE AMORTIGUACIÓN DE COMPRESIÓN; COMPRESIÓN DE LA HORQUILLA **MÁS LIGERA**

MAYOR CANTIDAD DE AMORTIGUACIÓN DE COMPRESIÓN; COMPRESIÓN DE LA HORQUILLA **MÁS FIRME**

AJUSTE DEL REBOTE

El **rebote** controla la velocidad a la que se extiende la horquilla después de comprimirla. El ajuste de rebote depende del ajuste de presión de aire. Por ejemplo, unas presiones de aire más elevadas requieren un ajuste de rebote más lento. Utilice la presión de aire como referencia para determinar el valor de rebote que debe emplear. El regulador de rebote se encuentra debajo del brazo de la horquilla del lado del amortiguador.



REBOTE DEL GRIP/GRIP X



Gire a tope en sentido horario el mando de rebote hasta la posición cerrada. A continuación, gírelo en sentido antihorario el número de clics indicado en la tabla de la página siguiente.

REBOTE DEL GRIP X2



Gire a tope en sentido horario el mando de rebote hasta la posición cerrada. A continuación, gírelo en sentido antihorario el número de clics indicado en la tabla de la página siguiente.

El ajuste de **rebote a alta velocidad** resulta útil para controlar el comportamiento de la horquilla ante impactos más pronunciados, al aterrizar, o al impactar con bordillos o baches con bordes en ángulo recto.

El ajuste de **rebote a baja velocidad** resulta útil para controlar el comportamiento de la horquilla ante desplazamientos del cuerpo del ciclista, al clavar los frenos o comprimir totalmente la suspensión ante desaceleraciones bruscas por cambios de inclinación del terreno (G-outs) y otras acciones lentas.

Puntos de partida sugeridos para el rebote

Presión	Ajuste de rebote			
	38 GRIP	38 GRIP X	38 GRIP X2 LSR	38 GRIP X2 HSR
5,0 bar (72 psi)	13	16	9	8
5,2 bar (76 psi)	12	14	8	7
5,5 bar (80 psi)	11	12	7	7
5,8 bar (84 psi)	10	10	7	6
6,1 bar (89 psi)	9	9	7	6
6,4 bar (93 psi)	8	8	7	5
6,7 bar (97 psi)	7	7	6	4
7,0 bar (102 psi)	6	6	5	4
7,3 bar (106 psi)	5	5	4	3
7,6 bar (110 psi)	4	4	3	2
7,9 bar (114 psi)	3	3	3	1
8,2 bar (119 psi)	2	2	2	0
8,5 bar (123 psi)	1	1	1	0

OPCIONES DE AJUSTE ADICIONALES

ESPACIADORES DE VOLUMEN CON CLIP

La sustitución de espaciadores de volumen en las horquillas 38 FLOAT es un ajuste interno muy sencillo que permite variar el grado de resistencia de la horquilla a media carrera y a fondo.

Si a pesar de haber ajustado correctamente el hundimiento, se utiliza todo el recorrido con demasiada facilidad, puede instalar uno o varios espaciadores para aumentar la resistencia de alcance del fondo.

Si ha ajustado el hundimiento correctamente y no utiliza todo el recorrido, puede retirar el espaciador para reducir la resistencia de alcance del fondo.

El procedimiento de instalación y las opciones de ajuste están disponibles en línea en ridefox.com/ownersmanuals.

Configuraciones de espaciadores de volumen para 38 FLOAT		
Recorrido	Espaciadores de volumen instalados de fábrica	* Número máximo de espaciadores de volumen
180 mm	1	4
170 mm	2	5
160 mm	3	6
150 mm	4	6

Configuraciones de espaciadores de volumen para 38 FLOAT E-Bike+		
Recorrido	Espaciadores de volumen instalados de fábrica	* Número máximo de espaciadores de volumen
180 mm	2	4
170 mm	3	5
160 mm	4	6
150 mm	5	6

MANTENIMIENTO

Una limpieza adecuada de su producto FOX después de cada uso, junto con un mantenimiento a intervalos regulares, contribuirá a reducir los costes de reparación y a prolongar la vida útil del producto.

Para obtener más información sobre los procedimientos de mantenimiento, visite www.ridefox.com/OwnersManuals o póngase en contacto con FOX si necesita un mantenimiento completo (**1.800.369.7469** o mtbservice@ridefox.com).

Puntos de mantenimiento mínimos recomendados	Antes de cada uso	Después de cada uso	Periódicamente	Cada 125 horas de uso o una vez al año, lo que suceda antes*
Inspeccione todo el exterior de la horquilla/amortiguador. La horquilla/amortiguador no se debería utilizar si presenta algún daño visible en alguna de sus partes exteriores. Póngase en contacto con su distribuidor local o con FOX para solicitar la reparación.	X			
Compruebe que las palancas de cierre rápido y los ejes estén bien ajustados y apretados.	X			
Compruebe el ajuste del juego de dirección. Si está flojo, ajústelo siguiendo las recomendaciones del fabricante de la bicicleta.	X			
Compruebe que los manguitos o cables del freno estén bien sujetos. Compruebe el correcto funcionamiento de los frenos delanteros y traseros sobre un terreno nivelado.	X			
Limpie el exterior únicamente con agua y un jabón suave; a continuación, seque con un paño suave. No utilice máquinas de lavado a alta presión ni rocíe agua directamente sobre las uniones entre la junta y el cuerpo del amortiguador.		X		
Compruebe los ajustes de hundimiento y amortiguación. Inspeccione visualmente los controles para ver si presentan daños y si funcionan correctamente.			X	
Mantenimiento completo (inspección interior/exterior integral, reensamblaje del amortiguador, sustitución de juntas de aire en amortiguadores neumáticos, reensamblaje de resortes neumáticos, sustitución del baño de aceite y los guardapolvos).				X

* Para aquellos ciclistas que practiquen descensos de pendientes desde lugares a los que se accede por elevador, Park o Freeride Extremo, o que circulen por lugares muy húmedos o embarrados, o por caminos extremadamente secos o polvorientos en los que puedan proyectarse partículas del suelo hacia la horquilla durante el recorrido, FOX recomienda realizar las tareas de mantenimiento anteriormente descritas con una frecuencia mayor de la indicada, si fuera necesario. Si oye, ve o nota algo inusual, deje de montar inmediatamente y póngase en contacto con un centro de servicio técnico autorizado de FOX para que revisen adecuadamente el producto.

VEA MÁS INFORMACIÓN Y VÍDEOS EN:

ridefox.com

Fox Factory, Inc., empresa californiana con domicilio social en 915 Disc Dr, Scotts Valley, CA 95066 («Fox»), cubre sus productos de suspensión con la siguiente GARANTÍA LIMITADA:

GARANTÍA LIMITADA DE FOX

GARANTÍA LIMITADA DE UN (1) AÑO PARA PRODUCTOS DE SUSPENSIÓN

Conforme a las limitaciones, términos y condiciones aquí descritos, Fox garantiza al propietario original de un producto de suspensión Fox nuevo que dicho producto no presenta defectos materiales ni de mano de obra. Esta garantía limitada caduca un (1) año después de la fecha original de compra del producto de suspensión Fox a un concesionario autorizado por Fox o a un distribuidor de equipos originales autorizado por Fox, en caso de que la suspensión Fox venga incluida de serie en el vehículo adquirido.

CONDICIONES DE LA GARANTÍA

Esta garantía limitada está condicionada a que el producto de suspensión Fox se use en condiciones normales y reciba un mantenimiento adecuado conforme a las especificaciones indicadas por Fox. Esta garantía limitada se aplica exclusivamente a las suspensiones Fox adquiridas como producto nuevo a un proveedor autorizado por Fox; solo cubre al propietario que adquirió originalmente el producto de suspensión Fox nuevo y no se puede transferir a propietarios posteriores.

Si se determina, a criterio exclusivo y concluyente de Fox, que un producto de suspensión Fox está cubierto por esta garantía limitada, se procederá a su reparación o sustitución por un modelo equivalente, a elección exclusiva de Fox, lo que será definitivo y vinculante. ESTE ES EL ÚNICO RESARCIMIENTO PREVISTO AL AMPARO DE ESTA GARANTÍA LIMITADA. QUEDAN EXCLUIDOS EXPRESAMENTE CUALESQUIERA OTROS RESARCIMIENTOS O COMPENSACIONES POR DAÑOS Y PERJUICIOS QUE PUDIERAN SER DE APLICACIÓN, LO QUE INCLUYE, ENTRE OTROS, LOS DAÑOS EMERGENTES O INDIRECTOS Y LOS DAÑOS PUNITIVOS.

Esta garantía limitada no cubre el desgaste y deterioro normales por el uso, ni los fallos o averías provocados por un uso indebido o negligente, un montaje incorrecto, la alteración o modificación, reparaciones u operaciones de mantenimiento inadecuadas o no autorizadas, accidentes, impactos o colisiones, o cualquier otra utilización anormal, excesiva o inapropiada.

Esta garantía limitada confiere derechos legales específicos al cliente. El cliente puede estar amparado también por otros derechos legales bajo la legislación aplicable de su país, a los cuales no afecta esta garantía limitada. Si un tribunal competente determina que alguna de las cláusulas de esta garantía limitada no es aplicable, ello no afectará al resto de cláusulas de la garantía, que permanecerán plenamente vigentes.

ESTA ES LA ÚNICA GARANTÍA QUE FOX OFRECE PARA SUS PRODUCTOS Y COMPONENTES DE SUSPENSIÓN, SIN QUE EXISTA NINGUNA OTRA GARANTÍA MÁS ALLÁ QUE LA AQUÍ DESCRITA. QUEDA EXCLUIDA CUALQUIER OTRA GARANTÍA IMPLÍCITA QUE PUDIERA CONSIDERARSE POR LEY, INCLUIDAS, ENTRE OTRAS, LAS GARANTÍAS IMPLÍCITAS DE COMERCIALIZACIÓN O IDONEIDAD PARA UNA FINALIDAD CONCRETA.

Esta garantía limitada se regirá exclusivamente por la legislación del Estado de California.

Si presenta una reclamación conforme a esta garantía limitada, se le pedirá que lleve a un centro de servicio técnico autorizado de FOX:

1. El producto (o la pieza afectada).
2. Una copia del recibo de compra original que indique claramente el nombre y la dirección del vendedor, la fecha y el lugar de compra, el número de referencia del producto y, si se utiliza, un número de serie. Si los productos FOX se venden como parte de una bicicleta completa, debe incluirse la marca de la bicicleta, el modelo, el año del modelo y el número de serie.

PARABÉNS!

Obrigado por escolher um produto de suspensão FOX para a sua bicicleta. Os produtos de suspensão FOX são projetados e testados pelos melhores profissionais da indústria, em Santa Cruz County, Califórnia, EUA.

Siga as diretrizes e instruções fornecidas neste guia do proprietário, de maneira que seja capaz de instalar, configurar, usar e manter adequadamente o seu novo produto FOX.

Mais informações e vídeos estão disponíveis em <http://www.ridefox.com/OwnersManuals>, ou telefone para a FOX USA em 1.800.369.7469, email mtbservice@ridefox.com, ou contacte um Centro de Serviço Internacional Autorizado da FOX em <http://www.ridefox.com/GlobalDistributors>. Se não tiver acesso à internet, contacte a FOX para encomendar uma cópia impressa em papel do manual do proprietário da FOX que está online, para o seu produto, gratuitamente.

AVISO E INFORMAÇÕES DE SEGURANÇA

Os produtos FOX deverão ser instalados por um técnico profissional de manutenção de bicicletas, de acordo com as especificações de instalação da FOX. Os garfos instalados incorretamente podem falhar, fazendo com que o ciclista perca o controle e resultando em FERIMENTOS GRAVES OU MORTE.

A modificação ou alteração de um produto FOX pode provocar a avaria do produto, resultando em FERIMENTOS GRAVES OU MORTE. Nunca modifique nem altere NENHUMA peça dum produto FOX (incluindo molas helicoidais, travessa do braço inferior, coroa, direção, tubos superiores, braço inferior, caixa do ar, espigão do assento, espaçadores do volume de ar, peças internas, calços de fenda para o eixo, adaptadores de eixo, nem nenhuma outra peça).

Os produtos de suspensões para bicicletas da FOX também podem ser usados em bicicletas elétricas da Classe 1 (designação dos EUA) e L1e-A (designação da UE).

Os produtos de suspensões FOX E-BIKE+ podem ser usados em bicicletas elétricas da Classe 3 (designação dos EUA) e L1e-B (designação da UE).

NÃO use nenhuns produtos de suspensões para bicicletas da FOX em nenhuma bicicleta motorizada ou veículo motorizado assistidos por pedais, que excedam uma velocidade máxima assistida de 32 km/h (20 milhas/hora) ou um peso máximo do sistema de 140 Kg (308 libras).

NÃO use nenhuns produtos de suspensões FOX E-BIKE+ em nenhuma bicicleta motorizada ou veículo motorizado assistidos por pedais, que excedam uma velocidade máxima assistida de 45 km/h (28 milhas/hora) ou um peso máximo do sistema de 169 Kg (372 libras). NÃO use nenhuns produtos para suspensões de bicicletas FOX em quaisquer veículos motorizados que tenham um acelerador.

O uso incorreto dos produtos de suspensão FOX pode provocar a falha da suspensão, resultando em danos aos bens ou FERIMENTOS GRAVES OU MORTE, e anulam a garantia.

NÃO use produtos para suspensão de bicicletas FOX em quaisquer veículos que transportem mais do que um operador ou ciclista, tais como bicicletas para 2 pessoas (tandem) ou bicicletas comerciais pesadas.

Não retire nem substitua o tubo da direção. Disso poderia resultar a perda de controle da bicicleta, e FERIMENTOS GRAVES OU MORTE.

Nunca tente retirar ou substituir a coluna da direção nem os tubos superiores independentemente da coroa. Modificar o conjunto integrado da coroa, coluna da direção ou tubos superiores pode causar a falha do conjunto, resultando numa perda de controle da bicicleta e em FERIMENTOS GRAVES OU MORTE.

Não corte a coluna da direção mais do que três (3) mm abaixo da peça mais alta instalada. Se por erro o comprimento da coluna da direção tiver sido demasiado cortado, ficando curta, a coroa/tubo da direção/conjunto do tubo superior TERÃO QUE SER SUBSTITUÍDOS! Usar um garfo com uma coluna da direção instalada com engate demasiado curto pode levar a uma falha súbita do garfo, o que pode causar perda de controle da bicicleta e resultar em FERIMENTOS GRAVES OU MORTE.

Se a coluna da direção tiver quaisquer cortes ou entalhes que possa sentir com a sua unha, o conjunto coroa/tubo da coluna da direção tem que ser substituído. Um corte ou entalhe pode fazer falhar o tubo da coluna da direção, resultando numa perda de controle da bicicleta e em FERIMENTOS GRAVES OU MORTE.

Nunca tente abrir fios de rosca nas colunas da direção sem rosca dos garfos da FOX. Criar fios de rosca numa coluna da direção sem rosca pode fazer falhar a coluna da direção, resultando numa perda de controlo da bicicleta e em FERIMENTOS GRAVES OU MORTE.

Nunca ponha mais de 30 mm de altura com espaçadores do espigão da coluna da direção instalados debaixo do espigão da coluna da direção, porque isso pode fazer falhar o tubo da coluna da direção, causando uma perda de controlo e resultando em FERIMENTOS GRAVES OU MORTE.

Nunca permita que coisas tais como cabos ou bainhas de cabos entrem em contacto com o tubo da coluna da direção de um garfo. Se a sua bicicleta tiver encaminhamento interno de cabos e de bainhas de cabos, trate de consultar o guia do proprietário do fabricante da sua bicicleta para obter instruções de segurança. Cabos e/ou bainhas de cabos que entrem em contacto com o tubo da direção podem causar a falha do tubo da direção, resultando numa perda de controlo da bicicleta e em FERIMENTOS GRAVES OU MORTE.

As bainhas de cabos em contacto com a coroa do garfo causarão danos de abrasão à coroa ao longo do tempo. Se for impossível evitar o contacto, use fita de vinil ou uma proteção semelhante para recobrir o ponto de contacto. A garantia da FOX não cobre estragos por abrasão à coroa do garfo FOX.

A manutenção incorreta, ou o uso de peças sobressalentes não originais com os garfos e amortecedores FOX pode provocar a avaria do produto, resultando em FERIMENTOS GRAVES OU MORTE.

Como a sujidade e os detritos se podem acumular entre as aberturas do eixo do garfo, inspecione e limpe sempre essas áreas antes de instalar a roda. A instalação incorreta do cubo e do eixo pode resultar em FERIMENTOS GRAVES OU MORTE.

Nunca use uma lavadora com pressão para lavar o seu produto FOX.

Se o seu garfo perde óleo, bate no topo ou no fundo (fins de curso) excessivamente, ou faz ruídos anormais, não guie com esse garfo, e imediatamente contacte a FOX ou um Centro de Serviço Autorizado da FOX para ter um serviço de inspeção ou reparação.

Siga as instruções de instalação do fabricante do seu travão para uma instalação e afinação corretas do sistema de travões. Se não instalar e ajustar adequadamente os seus travões, pode provocar a perda de controlo da bicicleta, que pode resultar em FERIMENTOS GRAVES OU MORTE.

O seu garfo ou amortecedor podem falhar em situações que causem que se dobre e/ou se parta qualquer peça do garfo ou do amortecedor. Qualquer problema que cause perda de ar e/ou óleo, tal como colisão ou períodos prolongados sem usar, pode causar a avaria do seu garfo ou amortecedor. Um garfo ou amortecedor danificado e/ou com uma fuga pode falhar, resultando em acidente e FERIMENTOS GRAVES OU MORTE. Se suspeitar que o seu garfo ou amortecedor foi danificado, deixe de guiar imediatamente e contacte a FOX para uma inspeção ou reparação.

Uma armação de transporte da bicicleta onde ela seja montada pelo garfo, pode causar danos aos braços do garfo e/ou encaixes, especialmente em casos em que o garfo é esforçado lateralmente, e/ou quando a roda traseira não está fixada no dispositivo de transporte. Braços do garfo e/ou encaixes danificados podem falhar, resultando em acidente e FERIMENTOS GRAVES OU MORTE. Se suspeitar que o seu garfo tenha sido danificado, contacte a FOX para uma inspeção e reparação.

INSTALAÇÃO DO GARFO

1. Retire o garfo existente que está na bicicleta. Retire a guia da coroa do garfo velho. Meça o comprimento do tubo da coluna da direção do garfo velho e transfira esta medida para o seu tubo da coluna da direção do garfo FOX novo. Se não tiver um garfo existente para medir, meça a altura total do conjunto da caixa da direção (peças da coluna da direção e tubo da cabeça do quadro) e consulte as instruções do fabricante do seu espigão para se assegurar que vai existir suficiente superfície para o aperto do espigão.
2. Marque o tubo da direção e corte-o com o comprimento adequado.

⚠ AVISO

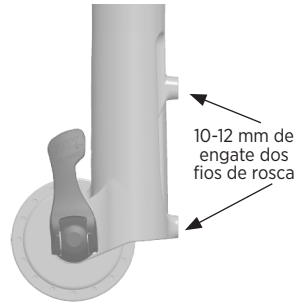
Antes de cortar, consulte as instruções do fabricante da sua caixa da direção e do espigão para assegurar que tenha suficiente comprimento de tubo da direção para fixar a direção e o espigão. Uma instalação incorreta pode levar a que se separe o espigão da direção, resultando em perda de controlo da bicicleta e FERIMENTOS GRAVES OU MORTE.

3. Instale a caixa da direção. Use sempre uma caixa da direção nova sem rosca e siga as instruções do fabricante da caixa da direção.
4. Instale uma guia de coroa de 39,8 mm para tubos de direção de 1 1/2 polegadas (3,98 cm). Use uma ferramenta de ajuste da guia da coroa para instalar a guia da coroa firmemente contra o topo da coroa.
5. Use uma ferramenta para instalação da porca com dentes em estrela para instalar a porca com dentes em estrela 4 a 10 mm abaixo do topo do tubo da direção.
6. Instale o garfo na bicicleta. Instale as peças que recebem a caixa da direção e o espigão de acordo com as instruções do fabricante da caixa da direção, e ajuste o pré-tensionamento da caixa da direção de acordo com isso até que não sinta folga (movimento lateral) excessiva nem resistência do rolamento. Aperte os pernos de fixação do espigão conforme as especificações de momento de torção recomendadas pelo fabricante do espigão.
7. Instale os travões de acordo com as instruções do fabricante dos travões. O tamanho máximo do rotor é 230 mm.

⚠ AVISO

Os pernos de montagem da maxila do travão de disco têm que ter 10 a 12 mm de rosca engatada no garfo. Use uma chave de momento de torção para apertar os pernos de montagem da maxila à especificação do fabricante do travão de disco, mas não exceda 10,2 N·m (90 pol.-libras). Uma instalação incorreta pode levar à falha do travão, resultando em perda de controlo da bicicleta e FERIMENTOS GRAVES OU MORTE.

8. Encaminhe a tubagem flexível ou a bainha do cabo do travão de disco da frente pelo interior do braço inferior, e através da guia fornecida para o resguardo do travão de disco. Use uma chave de momento de torção para apertar o parafuso da guia do tubo flexível do travão de disco a 0,9 N·m (8 pol.-libras).

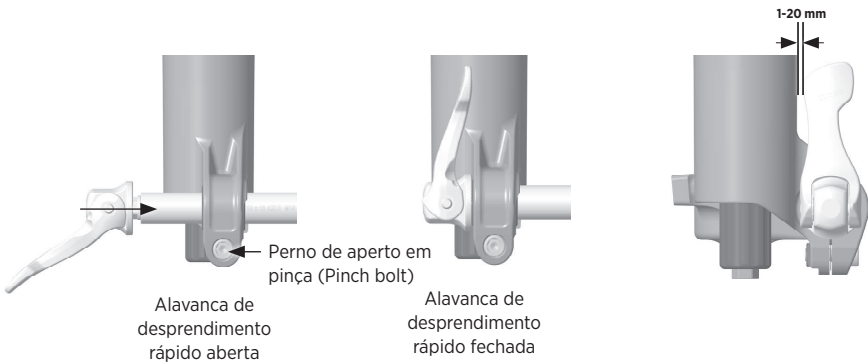


Use apenas a pressão da mão. Não use nenhuma ferramenta para apertar o desprendimento rápido. Apertar demasiado as alavancas pode danificar o eixo ou os encaixes do garfo, levando a uma súbita falha de um ou mais destes componentes, e resultando em FERIMENTOS GRAVES OU MORTE. Não fixar o eixo corretamente poderá fazer com que a roda se desprenda da bicicleta, resultando em FERIMENTOS GRAVES OU MORTE.

INSTALAÇÃO DO DESPRENDIMENTO RÁPIDO DE 15 MM

1. Desaperte o perno de aperto em pinça, e depois instale a roda da frente nos encaixes do garfo. Enfie o eixo através do encaixe do lado com cremalheiras e do cubo.
2. Abra a alavanca do eixo e o perno de aperto em pinça.
3. Rode o eixo no sentido dos ponteiros do relógio 5-6 voltas completas para dentro da porca do eixo.
4. Feche a alavanca. A alavanca tem que ter suficiente tensão para deixar uma marca na sua mão.
5. A posição da alavanca fechada tem que ser entre 1 e 20 mm em frente do braço do garfo.
6. Se a alavanca não tiver tensão suficiente, ou se tiver demasiada tensão quando estiver fechada na posição recomendada (1 a 20 mm em frente do garfo), veja a próxima secção para obter instruções de ajuste.
7. Comprima o garfo várias vezes para assegurar que o braço inferior tenha assentado no seu ponto de fricção baixa.
8. Aperte a um momento de torção de 5,1 N·m (45 pol.-libra) o perno de aperto em pinça no encaixe do lado que tem cremalheiras.

IMPORTANTE: Só vai precisar de apertar o perno de aperto em pinça durante a sua primeira instalação da roda. Depois de apertar o perno de aperto em pinça, pode retirar o eixo de desprendimento rápido e substituí-lo, sem ter que desapertar e voltar a apertar o perno de aperto em pinça. Se estiver a substituir rodas ou cubos, é provável que tenha que ajustar o perno de aperto em pinça, seguindo estas instruções, começando no passo 1.

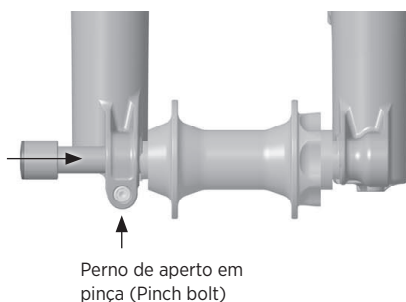


AJUSTAR O DESPRENDIMENTO RÁPIDO

1. Anote em que direção tem que ser rodada a alavanca do eixo para obter a orientação apropriada.
2. Abra a alavanca do eixo no garfo.
3. Enquanto mantém aberta e estacionária a alavanca de Desprendimento Rápido, de modo que não possa rodar, use uma chave sextavada de 4 mm no centro da extremidade do eixo para ajustar a posição da alavanca. Com a ferramenta ajustadora de 4 mm colocada de maneira apropriada, deverá começar a sentir tensão no eixo quando a alavanca do Desprendimento Rápido estiver 90 graus antes de fechar completamente na posição vertical.
4. Repita as instruções de instalação do eixo para verificar a correta instalação e ajuste.

INSTALAÇÃO DO KABOLT^X

1. Desaperte o perno de aperto em pinça, e depois instale a roda da frente nos encaixes do garfo. Enfie o eixo Kabolt^X através do encaixe do lado com cremalheiras e do cubo.
2. Use uma chave sextavada de 6 mm para aplicar torção ao eixo Kabolt^X, no sentido dos ponteiros do relógio, até atingir o momento de torção especificado que está gravado com laser na cabeça do Kabolt.
3. Comprima o garfo várias vezes para assegurar que o braço inferior tenha assentado no seu ponto de fricção baixa.
4. Aperte a um momento de torção de 5,1 N·m (45 pol.-libra) o perno de aperto em pinça no encaixe do lado que tem cremalheiras.



TESTE DE ESPAÇO LIVRE PARA O PNEU

⚠ AVISO

Se for usar um guarda-lamas ou um resguardo contra a lama, deverá instalá-lo quando efetuar o teste de espaço livre (folga) para o pneu.

1. Liberte toda a pressão de ar do garfo, carregando na válvula Schrader.

⚠ AVISO

Os garfos FOX poderão conter altas pressões de ar. Liberte TODA a pressão de ar da câmara principal de ar antes da desmontagem. Se não fizer isto, poderão ser ejetadas do garfo peças ou fluidos, o que poderá causar FERIMENTOS GRAVES OU MORTE.

2. Comprima completamente o garfo.
3. Meça a distância desde os bordos do pneu cheio de ar até ao guarda-lamas/ resguardo contra lama, coroa, suporte do garfo e tubo da direção. Tem que haver PELO MENOS 8,5 mm de espaço livre/ folga a toda a volta do pneu.

⚠ AVISO

Se não deixar pelo menos 8,5 mm de espaço livre entre os bordos do pneu bem cheio de ar e o guarda-lamas/ resguardo contra lama, coroa, suporte do garfo e direção, poderá resultar que o pneu venha a ficar entalado contra a coroa quando o garfo for totalmente comprimido, do que poderão resultar FERIMENTOS GRAVES OU MORTE.

4. Acrescente pressão de ar até ao valor que deseja, usando uma bomba de alta pressão FOX. Ajuste a retração de acordo com as instruções online em www.ridefox.com.
5. Terá que repetir este teste CADA VEZ que substituir pneus ou aros.

⚠ AVISO

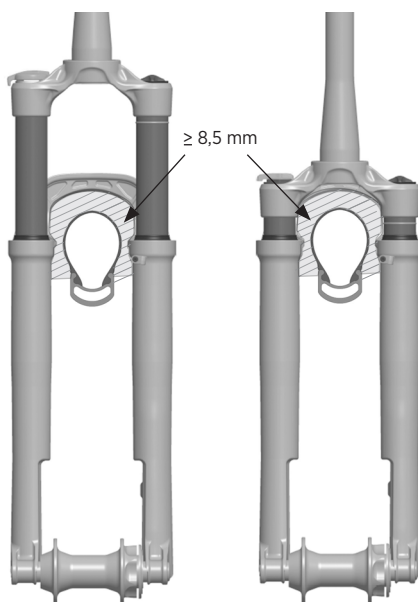
Não exceda a pressão máxima do ar:

Para o 38 FLOAT a pressão máxima do ar é 827 kPa (8,3 bar) (120 psi).

A mínima pressão de ar é:

256 kPa (2,7 bar) (40 psi) para todos os garfos 38 FLOAT.

Pressão medida à temperatura ambiente de 21 a 24 °C (70-75 °F). A gama de temperaturas normais de funcionamento para produtos FOX é de -7 a 60 °C (20-140 °F).



ESPAÇADORES DE VOLUME DA MOLA PNEUMÁTICA

Substituir os espaçadores de volume nos garfos FOX 38 FLOAT é um ajuste interno fácil que lhe permite mudar a quantidade de resistência de médio curso e de fim de curso no fundo. Se regulou a sua retração corretamente e está a ter o curso completo (bater no fundo) com demasiada facilidade, então poderá instalar um ou mais espaçadores para aumentar a resistência ao bater no fundo.

Se não está a ter o curso completo, então poderá retirar um ou mais espaçadores para diminuir a resistência ao bater no fundo.

1. Retire a tampa do ar.
2. Liberte toda a pressão de ar do garfo, carregando na válvula Schrader.

AVISO

Os garfos FOX poderão conter altas pressões de ar. Liberte TODA a pressão de ar da câmara principal de ar antes da desmontagem. Se não fizer isto, poderão ser ejetadas do garfo peças ou fluidos, o que poderá causar FERIMENTOS GRAVES OU MORTE.

3. Cuidadosamente desenrosque a tampa superior do garfo com uma chave de caixa de 32 mm com seis pontos e sem chanfro.
4. Puxe para cima para retirar o conjunto da tampa superior da coroa do garfo.
5. Faça deslizar horizontalmente o espaçador ou espaçadores de volume de ar para instalá-los ou removê-los da tampa superior.

AVISO

Não exceda o número máximo de espaçadores de volume para o seu garfo. Isso poderia danificar o seu garfo. Consulte as informações sobre espaçadores de volume online em www.ridefox.com.

6. Volte a instalar o conjunto da tampa superior na coroa do garfo e aperte a 24,8 N·m (220 pol.-libras) com uma chave de caixa de 32 mm com seis pontos e sem chanfro.
7. Acrescente pressão de ar até ao valor que deseja, usando uma bomba de alta pressão FOX. Ajuste a retração de acordo com as instruções online em www.ridefox.com.

REGULAR A RETRAÇÃO

Para obter o melhor desempenho da sua suspensão FOX, regule a pressão do ar para conseguir a sua retração adequada. A retração é quanto a sua suspensão se comprime sob o seu peso e o do seu material. A retração deverá ser regulada para 15 a 20% **do total do curso do garfo**.

Assegure-se de que regula a retração com a alavanca da compressão no modo ABERTO (OPEN).

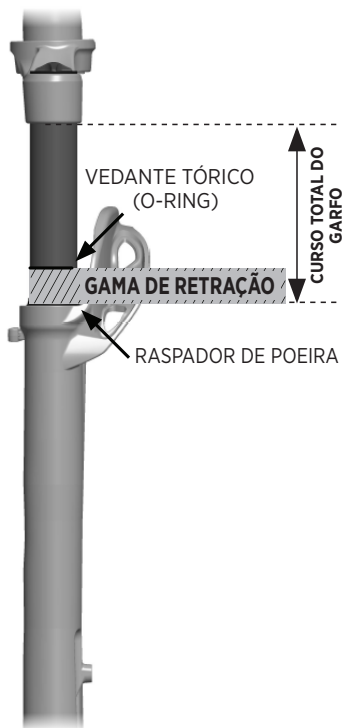
Observe o vídeo da regulação da retração em ridefox.com/sagsetup

Medidas de retração sugeridas		
Curso	15% de retração (Firme)	20% de retração (Macia)
150 mm (5,5 pol.)	22 mm (0,9 pol.)	30 mm (1,2 pol.)
160 mm (5,9 pol.)	24 mm (1,0 pol.)	32 mm (1,3 pol.)
170 mm (6,7 pol.)	26 mm (1,0 pol.)	34 mm (1,3 pol.)
180 mm (5,9 pol.)	27 mm (1,0 pol.)	36 mm (1,4 pol.)



Não exceda a pressão máxima do ar:

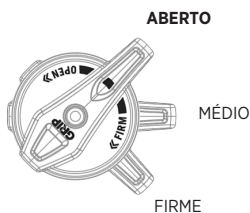
Para o **38 FLOAT** a pressão máxima do ar é **827 kPa (8,3 bar) (120 psi)**.



Pontos iniciais sugeridos para regular a retração	
Peso do ciclista	38 FLOAT/E-Bike+ Pressão
54-59 kg (120-130 libras)	5,0 bar (72 psi)
59-64 kg (130-140 libras)	5,2 bar (76 psi)
64-68 kg (140-150 libras)	5,5 bar (80 psi)
68-73 kg (150-160 libras)	5,8 bar (84 psi)
73-77 kg (160-170 libras)	6,1 bar (89 psi)
77-82 kg (170-180 libras)	6,4 bar (93 psi)
82-86 kg (180-190 libras)	6,7 bar (97 psi)
86-91 kg (190-200 libras)	7,0 bar (102 psi)
91-95 kg (200-210 libras)	7,3 bar (106 psi)
95-100 kg (210-220 libras)	7,6 bar (110 psi)
100-104 kg (220-230 libras)	7,9 bar (114 psi)
104-109 kg (230-240 libras)	8,2 bar (119 psi)
109-113 kg (240-250 libras)	8,5 bar (123 psi)

AJUSTAR A COMPRESSÃO

AJUSTAR A COMPRESSÃO DO GRIP



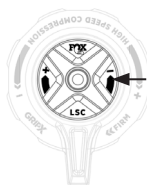
A alavanca de **3-Posições de Micro Ajuste** é útil para fazer ajustes rápidos para controlar o desempenho do garfo. Use as posições entre os modos ABERTO (OPEN), MÉDIO (MEDIUM) e FIRME (FIRM) para afinar o amortecimento da sua compressão.

AJUSTAR A COMPRESSÃO DO GRIP X

Use este diagrama como ponto de partida para os seus ajustadores da compressão. **Rode os seus ajustadores/reguladores da compressão para a posição de fechado (rode completamente no sentido dos ponteiros do relógio) até eles pararem. Então faça-os retroceder (rode-os no sentido contrário ao dos ponteiros do relógio) para o número de estalidos (cliques) indicados abaixo.**



A regulação da **compressão de alta velocidade** é útil para controlar o desempenho do garfo quando submetido a impactos maiores, aterragens depois de saltos e ressaltos muito abruptos.



A regulação da **compressão de baixa velocidade** é útil para controlar o desempenho do garfo quando submetido a movimentos do peso do ciclista, acelerações e a outros esforços lentos.

ABERTO
15 CLIQUES



COMPRESSÃO DE ALTA VELOCIDADE (HSC)

FECHADO
(COMPLETAMENTE NO SENTIDO DOS PONTEIROS DO RELÓGIO)

ABERTO
16 CLIQUES



COMPRESSÃO DE BAIXA VELOCIDADE (LSC)

FECHADO
(COMPLETAMENTE NO SENTIDO DOS PONTEIROS DO RELÓGIO)

O MENOR VALOR DE AMORTECIMENTO DA COMPRESSÃO; A COMPRESSÃO DO AMORTECEDOR É **A MAIS LEVE**

O MAIOR VALOR DE AMORTECIMENTO DA COMPRESSÃO; A COMPRESSÃO DO AMORTECEDOR É **A MAIS FIRME**

AJUSTAR A COMPRESSÃO DO GRIP X2

Use este diagrama como ponto de partida para os seus ajustadores da compressão. **Rode os seus ajustadores/reguladores da compressão para a posição de fechado (rode completamente no sentido dos ponteiros do relógio) até eles pararem. Então faça-os retroceder (rode-os no sentido contrário ao dos ponteiros do relógio) para o número de estalidos (cliques) indicados abaixo.**



A regulação da **compressão de alta velocidade** é útil para controlar o desempenho do garfo quando submetido a impactos maiores, aterragens depois de saltos e ressaltos muito abruptos.



A regulação da **compressão de baixa velocidade** é útil para controlar o desempenho do garfo quando submetido a movimentos do peso do ciclista, acelerações e a outros esforços lentos.

ABERTO
8 CLIQUES



COMPRESSÃO DE ALTA VELOCIDADE (HSC)

FECHADO
(COMPLETAMENTE
NO SENTIDO DOS
PONTEIROS DO
RELÓGIO)

ABERTO
16 CLIQUES



COMPRESSÃO DE BAIXA VELOCIDADE (LSC)

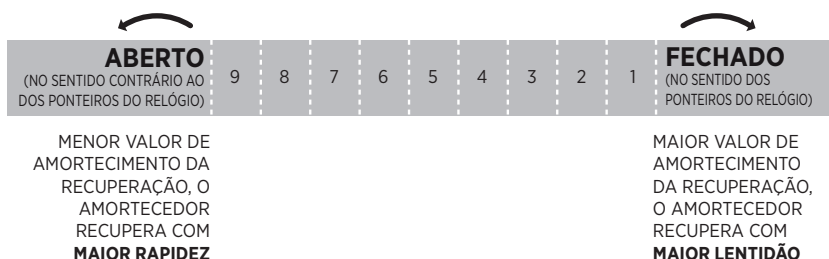
FECHADO
(COMPLETAMENTE
NO SENTIDO DOS
PONTEIROS DO
RELÓGIO)

O MENOR VALOR DE AMORTECIMENTO DA COMPRESSÃO; A COMPRESSÃO DO AMORTECEDOR É **A MAIS LEVE**

O MAIOR VALOR DE AMORTECIMENTO DA COMPRESSÃO; A COMPRESSÃO DO AMORTECEDOR É **A MAIS FIRME**

AJUSTAR A RECUPERAÇÃO

A **recuperação** controla a velocidade com que o garfo se alonga depois de se ter comprimido. A regulação da recuperação está dependente da configuração da pressão do ar. Por exemplo, pressões de ar mais altas exigem configurações mais lentas de recuperação. Use a sua pressão do ar para determinar a sua configuração de recuperação. O ajustador da recuperação está localizado por baixo do braço do garfo do lado do amortecedor.



RECUPERAÇÃO DO GRIP/GRIP X



Rode o seu botão de recuperação para a posição de fechado, no sentido dos ponteiros do relógio, até ele parar. Então rode-o no sentido contrário ao dos ponteiros do relógio para o número de estalidos (cliques) indicados na tabela da página seguinte.

RECUPERAÇÃO DO GRIP X2



Rode o seu botão de recuperação para a posição de fechado, no sentido dos ponteiros do relógio, até ele parar. Então rode-o no sentido contrário ao dos ponteiros do relógio para o número de estalidos (cliques) indicados na tabela da página seguinte.

A regulação da **recuperação de alta velocidade** é útil para controlar o desempenho do garfo quando submetido a impactos maiores, aterragens depois de saltos e ressaltos muito abruptos.

A regulação da **recuperação de baixa velocidade** é útil para controlar o desempenho do garfo quando submetido a movimentos do peso do ciclista, acelerações e a outros esforços lentos.

Pontos iniciais sugeridos para a recuperação

Pressão	Regular a Recuperação			
	38 GRIP	38 GRIP X	38 GRIP X2 LSR	38 GRIP X2 HSR
5,0 bar (72 psi)	13	16	9	8
5,2 bar (76 psi)	12	14	8	7
5,5 bar (80 psi)	11	12	7	7
5,8 bar (84 psi)	10	10	7	6
6,1 bar (89 psi)	9	9	7	6
6,4 bar (93 psi)	8	8	7	5
6,7 bar (97 psi)	7	7	6	4
7,0 bar (102 psi)	6	6	5	4
7,3 bar (106 psi)	5	5	4	3
7,6 bar (110 psi)	4	4	3	2
7,9 bar (114 psi)	3	3	3	1
8,2 bar (119 psi)	2	2	2	0
8,5 bar (123 psi)	1	1	1	0

OPÇÕES DE REGULAÇÃO ADICIONAIS

ESPAÇADORES DE VOLUME DE PRENDER (CLIP-ON)

Substituir os espaçadores de volume nos garfos 38 FLOAT é um ajuste interno fácil que lhe permite mudar a quantidade de resistência de médio curso e de fim de curso no fundo.

Se regulou a sua retração corretamente e está a ter o curso completo (bater no fundo) com demasiada facilidade, então poderá instalar um ou mais espaçadores para aumentar a resistência ao bater no fundo.

Se regulou a sua retração corretamente e está a usar o curso completo, então poderá retirar o espaçador para diminuir a resistência ao bater no fundo.

O procedimento de instalação e as opções de afinação estão disponíveis online em: ridefox.com/ownersmanuals

Configurações de espaçador de volume 38 FLOAT		
Curso	Espaçadores de volume instalados de fábrica	*Máx. de espaçadores de volume
180 mm	1	4
170 mm	2	5
160 mm	3	6
150 mm	4	6

Configuração de espaçador de volume 38 FLOAT E-Bike+		
Curso	Espaçadores de volume instalados de fábrica	*Máx. de espaçadores de volume
180 mm	2	4
170 mm	3	5
160 mm	4	6
150 mm	5	6

SERVIÇO DE MANUTENÇÃO

A limpeza correta do seu produto FOX entre passeios, além do serviço de manutenção agendado a intervalos regulares, irá ajudar a reduzir os custos de reparação e prolongar a vida do produto.

Para obter mais informações sobre procedimentos de manutenção, visite www.ridefox.com/OwnersManuals, ou contacte a FOX para um serviço de manutenção completo (**1.800.369.7469** ou mtbservice@ridefox.com).

Itens mínimos recomendados para manutenção	Sempre antes de pedalar na bicicleta	Sempre depois de pedalar na bicicleta	Regularmente	Cada 125 horas ou anualmente, o que ocorrer primeiro*
Inspeccione todo o exterior do seu garfo/amortecedor. O garfo/amortecedor não deverá ser usado se qualquer das peças exteriores parecer estar danificada. Contacte o seu concessionário local ou a FOX para reparações.	X			
Verifique que as alavancas de desprendimento rápido estejam adequadamente ajustadas e apertadas.	X			
Verifique o ajuste da sua caixa da direção. Se estiver solta, ajuste-a de acordo com as recomendações do seu fabricante de bicicletas.	X			
Verifique que todos os cabos e tubos flexíveis de travões estejam corretamente fixados. Faça um teste do funcionamento correto dos seus travões dianteiro e traseiro em terreno nivelado.	X			
Lave o exterior apenas com sabão suave e água, e depois limpe com uma toalha macia para secar. Não use um dispositivo de lavagem a alta pressão nem borrife água diretamente no vedante/junção do corpo do amortecedor.		X		
Verifique as configurações da retração e do amortecimento. Inspeccione os controlos para detetar danos visíveis, e também o seu funcionamento.			X	
Serviço de manutenção completo (inspeção completa interna/externa, reconstrução do sistema de amortecimento, substituição do vedante de ar para amortecedores pneumáticos, reconstrução da mola pneumática, substituição do óleo de banho e do retentor/raspador).				X

*Para os que conduzem lift-accessed DH, Park ou Extreme Freeride ou em condições ambientais extremas de molhado/lamamento ou seco/poeirento, em que sejam atirados detritos do trilho contra o garfo ou amortecedor no trilho, a FOX aconselha os ciclistas a efetuar manutenção mais cedo do que se recomenda acima, conforme seja necessário. Se ouvir, vir ou sentir alguma coisa fora do normal, pare imediatamente a bicicleta e contacte um Centro Autorizado de Serviço da FOX para obter manutenção apropriada.

VER INFORMAÇÕES ADICIONAIS E VÍDEOS:

ridefox.com

Fox Factory, Inc., uma companhia da Califórnia que tem escritórios em 915 Disc Dr, Scotts Valley, CA 95066 (“Fox”), dá a seguinte GARANTIA LIMITADA relativa aos seus produtos de suspensão:

GARANTIA LIMITADA FOX

GARANTIA LIMITADA DE UM (1) ANO EM PRODUTOS DE SUSPENSÃO

Sujeita às limitações, termos e condições aqui indicadas, a Fox garante, ao proprietário original a retalho (o consumidor) de cada produto de suspensão novo Fox, que o produto de suspensão Fox, quando novo, está livre de defeitos em materiais e de mão de obra. Esta garantia limitada expira um (1) ano após a data da compra original a retalho do produto de suspensão Fox de um concessionário autorizado Fox ou de um Fabricante de Equipamento Original autorizado pela Fox, em que a suspensão Fox tenha sido incluída como equipamento original num veículo comprado.

TERMOS DA GARANTIA

Esta garantia limitada é condicional a que o produto de suspensão Fox seja operado sob condições normais e mantido corretamente conforme especificado pela Fox. Esta garantia limitada só é aplicável a uma suspensão Fox comprada nova de uma fonte autorizada Fox e é dada apenas ao dono original a retalho (consumidor) do produto de suspensão Fox novo e não é transferível a donos subsequentes.

Se for determinado pela Fox, à sua única e final discrição, que o produto de suspensão Fox está coberto por esta garantia limitada, ele será reparado ou substituído, por um modelo comparável, à opção exclusiva da Fox, que será conclusiva e vinculante. ESTE É O REMÉDIO EXCLUSIVO SOB ESTA GARANTIA LIMITADA. TODOS E QUAISQUER OUTROS REMÉDIOS E COMPENSAÇÃO POR DANOS QUE POSSAM DE OUTRO MODO SER APLICÁVEIS AO ABRIGO DESTA GARANTIA LIMITADA SÃO EXCLUÍDOS, INCLUINDO, MAS SEM SE LIMITAR A, COMPENSAÇÃO POR DANOS ACIDENTAIS OU CONSEQUENCIAIS OU COMPENSAÇÃO PUNITIVA.

Esta garantia limitada não se aplica a desgaste e deterioração normais, avarias ou falhas que resultem de abuso, negligência, montagem incorreta, alterações ou modificações, reparações ou manutenção incorretas ou não autorizadas, choques, acidentes ou colisão, ou outro uso anormal, excessivo ou indevido.

Esta garantia limitada dá ao consumidor direitos legais específicos. O consumidor poderá também ter outros direitos legais ao abrigo das leis nacionais aplicáveis que não são afetados por esta garantia limitada. Se for determinado por um tribunal com jurisdição competente que uma certa provisão desta garantia limitada não se aplica, tal determinação não deverá afetar quaisquer outras disposições desta garantia limitada, e todas as outras disposições deverão permanecer com efeito.

ESTA É A ÚNICA GARANTIA DADA PELA FOX PARA OS SEUS PRODUTOS E COMPONENTES DE SUSPENSÕES, E NÃO HÁ GARANTIAS QUE SE ESTENDAM PARA ALÉM DA DESCRIÇÃO AQUI FEITA. QUAISQUER GARANTIAS QUE POSSAM DE OUTRO MODO SER IMPLÍCITAS POR LEI INCLUINDO, MAS SEM SE LIMITAR A, QUALQUER IMPLÍCITA GARANTIA DE COMERCIALIDADE OU ADEQUAÇÃO PARA UM PROPÓSITO EM PARTICULAR SÃO EXCLUÍDAS.

Esta garantia limitada será governada exclusivamente pelas leis do Estado da Califórnia.

Quando fizer uma reclamação ao abrigo desta Garantia Limitada, ser-lhe-á solicitado que forneça a um Centro de Serviço de Assistência autorizado da FOX:

1. O Produto (ou a peça afetada) e
2. Uma cópia da prova original de compra, que indique claramente o nome e endereço do vendedor, a data e local da compra, o número de peça do produto e, se for utilizado, um número de série. Se os produtos FOX forem vendidos como parte de uma bicicleta completa, a marca, modelo e ano do modelo da bicicleta e o seu número de série deverão ser incluídos.

恭喜!

感谢您为自己的自行车选择 FOX 避震产品。FOX 避震产品由美国加州圣克鲁兹郡业界最好的专家设计并测试。

请按照本用户手册中提供的指南和说明正确地设置、使用和保养您的新 FOX 产品。

欲知更多信息和视频, 请访问网站 <http://www.ridefox.com/OwnersManuals>, 或致电 1.800.369.7469 联系 FOX 美国公司, 或发送电子邮件至 mtbservice@ridefox.com, 或在 <http://www.ridefox.com/GlobalDistributors> 上联系 FOX 全球授权维修中心。如果您无法访问互联网, 则请联系 FOX, 为您的产品索取在线 FOX 用户手册的免费纸质版。

⚠ 警告和安全信息

FOX 产品应由专业自行车维修技师遵照 FOX 安装规范安装。前叉若安装不当, 可能出现故障, 导致骑行者失控并受到严重甚至致命的伤害。

改动或改装 FOX 产品可能使其出现故障, 进而导致人员严重受伤甚至死亡。请勿改动或改装 FOX 产品的任何零部件 (包括卷簧、下管叉桥、叉肩、舵管、上管、下管、空气罐、座杆、气室垫片、内部构件、轴缝垫片、轴适配器或任何其他零部件)。

FOX 自行车避震器产品还可用在 1 级 (美国命名) 和 L1e-A (欧盟命名) 电动自行车上。

FOX E-BIKE+ 避震器产品可用在 3 级 (美国命名) 和 L1e-B (欧盟命名) 电动自行车上。

请勿将任何 FOX 自行车避震器产品用在最大助力速度超过 32 km/h (20 mph) 或最大系统重量超过 140 Kg (308 lb) 的任何踏板助力机动自行车或机动车上。

请勿将任何 FOX E-BIKE+ 避震器产品用在最大助力速度超过 45 km/h (28 mph) 或最大系统重量超过 169 Kg (372 lb) 的任何踏板助力机动自行车或机动车上。请勿将任何 FOX 自行车避震器产品用在任何配有风门的机动车上。

误用 FOX 避震器产品可导致避震器出现故障, 造成财产损失或人员严重受伤甚至死亡, 且无法享受质保。

请勿将 FOX 自行车避震器产品用于任何可搭载两名以上操作者或骑行者的车辆上, 例如: 双人自行车或载重型自行车等。

请勿拆除或更换舵管。此举可能导致自行车失控, 造成人员严重受伤甚至死亡。

请勿尝试单独从叉肩上拆卸或更换舵管或上管。改动一体式叉肩、舵管和上管可能导致组件故障和自行车失控, 并造成人员严重受伤甚至死亡。

舵管的截短处请勿低于车架最上端安装部件的下方三 (3) mm。如果舵管长度截得太短, 则必须更换叉肩 / 舵管 / 上管组件! 使用夹紧舵管咬合太短的前叉, 可能导致前叉突然出现故障, 进而导致自行车失控, 并造成人员严重受伤甚至死亡。

如果舵管有任何手指甲可以感觉到的裂纹或凹槽, 则该叉肩 / 舵管组件必须予以更换。裂纹或凹槽可能导致舵管出现故障, 导致自行车失控并造成人员严重受伤甚至死亡。

请勿尝试将 FOX 前叉舵管的螺纹截短到无螺纹段。将螺纹截短到无螺纹段可能导致舵管出现故障，导致自行车失控并造成人员严重受伤甚至死亡。

把立下方的垫片请勿超过 30 mm，因为此等条件下可能导致舵管出现故障，导致自行车失控并造成人员严重受伤甚至死亡。

请勿让线缆或线管等物件接触前叉舵管。如果您自行车的线缆和线管属于内部走线，请参阅您自行车厂商用户指南上的安全说明。如果线缆和 / 或线管接触舵管，则可能导致舵管出现故障，导致自行车失控并造成人员严重受伤甚至死亡。

如果线管长期接触前叉叉肩，则会导致叉肩磨损。如果接触无可避免，应使用聚氯乙烯绝缘带或类似防护物将接触处包裹起来。FOX 质保不包括对 FOX 前叉叉肩磨损的维修。

不当保养，或在 FOX 前叉和避震器上安装非 FOX 更换件可能导致产品出现故障，造成人员严重受伤甚至死亡。

由于前叉轴开口之间会积灰尘和污垢，请在安装车轮前始终检查并清洁这些区域。轮毂和车轴安装不当可能导致人员严重受伤甚至死亡。

切勿使用大功率清洗器清洁 FOX 产品。

如果您的前叉漏油、顶部过高或底部过低，或发出异常噪声，则请立即停止骑行，并联系 FOX 或 FOX 授权维修中心进行检查或维修。

请按照刹车厂商的说明正确安装和调节刹车系统。如果未能正确安装和调节刹车，则可能导致自行车失控，并造成人员严重受伤甚至死亡。

若出现致使前叉或避震器任何部分产生折弯和 / 或断裂的情况，则您的前叉或避震器可能出现故障。任何致使漏气和 / 或漏油的情况，例如撞车事故或长期未用等，也都可能导致您的前叉或避震器出现故障。前叉或避震器一旦被损坏和 / 或出现泄漏，则可能出现故障，导致撞车事故和人员严重受伤甚至死亡。如果您怀疑您的前叉或避震器已受损坏，则请立即停止骑行并联系 FOX 进行检查和维修。

安装在前叉上的托架可能损坏前叉腿和 / 或勾爪，尤其是当前叉处于偏载和 / 或后轮没有稳固在托架中的时候。损坏的前叉腿和 / 或勾爪可能出现故障，导致撞车事故和人员严重受伤甚至死亡。如果您怀疑您的前叉已受损坏，则请联系 FOX 进行检查和维修。

前叉安装

1. 从自行车上拆下现有的前叉。从旧前叉上卸下叉肩座圈。测量旧前叉的舵管长度，并将此测量值标记在新的 FOX 前叉舵管上。如果您没有旧前叉作参考，则测量碗组堆叠高度（碗组零件和车架头管），并参阅把立厂商的说明，确保为把立留出足够的夹紧表面。
2. 标记该舵管，并将其截短至适当长度。

警告

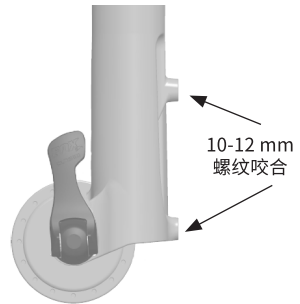
在进行任何截短前，请参阅碗组和把立厂商的说明，以确保有足够的舵管长度用于锁紧舵管和把立。安装不当可能导致把立从舵管上脱离，造成自行车失控和人员严重受伤甚至死亡。

3. 安装碗组。请始终使用新的无螺纹碗组并遵照碗组厂商的说明。
4. 对于 1 1/2" 舵管，安装 39.8 mm 叉肩座圈。使用叉肩座圈安装器将叉肩座圈牢固地安装在叉肩顶部。
5. 使用星状螺母安装工具将星状螺母安装在舵管顶部下方 4-10 mm 处。
6. 将前叉安装到自行车上。请按照碗组厂商的说明安装碗组轴承零件和把立，并相应调节碗组预载，直到您感觉没有过度的松动或轴承拉力。将把立夹紧螺栓锁紧至把立厂商的指定扭矩值。
7. 请按照刹车厂商的说明安装刹车。最大刹车碟尺寸为 230 mm。

警告

盘式刹车钳安装螺栓与前叉的螺纹咬合长度必须有 10-12 mm。使用扭矩扳手将刹车钳安装螺栓拧紧至盘式刹车厂商规定的扭矩值，但不能超过 10.2 N•m (90 in-lb)。安装不当可能导致刹车出现故障，造成自行车失控和人员严重受伤甚至死亡。

8. 将前轮盘式刹车油管或线管布线至下管内部，并穿过所提供的盘式刹车线管导套。用扭矩扳手将盘式刹车油管固定器螺钉拧紧至 0.9 N•m (8 in-lb)。



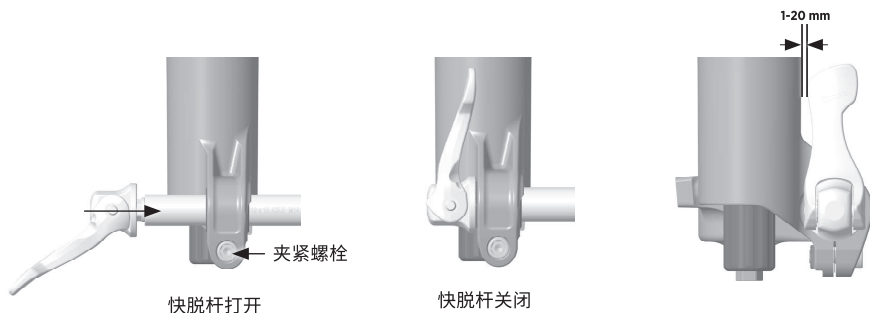
警告

请仅使用手拧紧。请勿使用任何工具来紧固快脱杆。杆拧得过紧可能导致车轴或前叉勾爪损坏，引发一个或多个此等部件突然出现故障，并造成人员严重受伤甚至死亡。若未能恰当地固定车轴，则可能导致车轮脱离自行车，造成人员严重受伤甚至死亡。

15 MM 快脱机构安装

1. 旋松夹紧螺栓，然后将前轮安装到前叉勾爪中。将车轴滑入传动侧勾爪和轮毂。
2. 打开车轴快脱杆和夹紧螺栓。
3. 将车轴顺时针旋入轴螺母 5-6 整圈。
4. 合拢杆。杆必须在手掌上留下印迹，方能表明其已充分拧紧。
5. 合拢的杆位置必须位于前叉腿前 1-20 mm 之间。
6. 如果在推荐位置（前叉前方 1-20 mm）合拢，但快脱杆未充分拧紧或拧紧过度，则参阅下一节的调节说明。
7. 按压前叉数次，确保下管坐入低摩擦点。
8. 将传动侧勾爪的夹紧螺栓拧紧至 5.1 N·m (45 in·lb)。

重要提示：您只需在安装第一个车轮期间拧紧夹紧螺栓。拧紧夹紧螺栓后，您可以卸下快脱杆并更换，勿旋开或重新拧紧夹紧螺栓。更换车轮或轮毂时，可能需要按照这些安装说明从第 1 步开始调节夹紧螺栓。

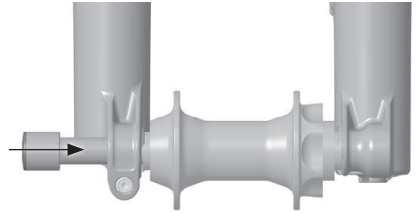


调节快脱机构

1. 请注意车轴快脱杆需要往哪个方向转动才能实现适当的朝向。
2. 打开前叉中的车轴快脱杆。
3. 握住打开和静止状态下的快脱杆，使之无法转动，将 4 mm 六角扳手放在轴的端部中央来调节快脱杆位置。4 mm 调节螺母已设置妥当后，快脱杆在完全合拢至垂直位置之前 90 度时您就应该能开始感觉到轴的张力。
4. 对照车轴安装说明进行检查，以核实是否安装和调节得当。

KABOLT[™] 安装

1. 旋松夹紧螺栓，然后将前轮安装到前叉勾爪中。
将 Kabolt[™] 车轴滑入传动侧勾爪和轮毂。
2. 用 6 mm 六角扳手按 Kabolt 头部蚀刻的扭矩规格将 Kabolt[™] 车轴顺时针拧紧。
3. 按压前叉数次，确保下管坐入低摩擦点。
4. 将传动侧勾爪的夹紧螺栓拧紧至 5.1 N·m (45 in-lb)。



夹紧螺栓

轮胎间隙测试

警告

如果要使用挡泥板，则在执行轮胎间隙测试时应当已安装挡泥板。

1. 按压美式嘴阀，从而彻底释放前叉中的空气压力。

警告

FOX 前叉可能有很高的气压。拆解前请彻底释放主气室中的空气压力。否则，可能导致零件或油液从前叉高速射出，造成人员严重受伤甚至死亡。

2. 完全压下前叉。
3. 测量充满气之轮胎的边缘到挡泥板、叉肩、前叉叉桥和舵管之间的距离。整个轮胎周围至少必须有 8.5 mm 的间隙。

警告

如果未能在充满气之轮胎的边缘到挡泥板、叉肩、前叉叉桥和舵管之间留出至少 8.5 mm 的间隙，则可能导致前叉被完全压紧时叉肩受到轮胎的挤压，造成人员严重受伤甚至死亡。

4. 用 FOX 高压打气筒将气压增加到您理想的设定值。根据 www.ridefox.com 上的在线说明设置 Sag。
5. 每次更换轮胎或轮圈时必须重复此测试。

警告

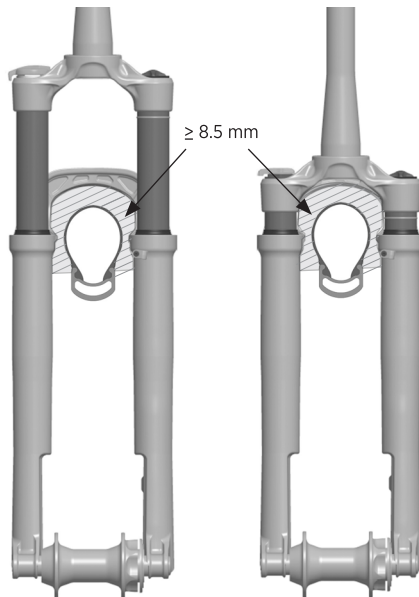
请勿超过最大气压：

38 FLOAT 的最大空气压力为 120 psi (8.3 bar)。

最低气压为：

所有 38 FLOAT 前叉为 40 psi (2.7 bar)。

压力测量时的环境温度为 21°C 至 24°C (70°F 至 75°F)。FOX 产品的正常工作温度范围为 -7°C 至 60°C (20°F 至 140°F)。



空气弹簧容量垫片

更换 FOX 38 FLOAT 前叉中的容量垫片是简单的内部调节，能改变中程和触底阻力。如果您已设定合适的 Sag 并且很容易达到全行程（触底），则您可以安装 1 个或多个垫片以增加触底阻力。如果您从未达到全行程，则您可卸下 1 个或多个垫片以减少触底阻力。

1. 卸下气阀盖。
2. 按压美式嘴阀，从而彻底释放前叉中的空气压力。

警告

FOX 前叉可能有很高的气压。拆解前请彻底释放主气室中的空气压力。否则，可能导致零件或油液从前叉高速射出，造成人员严重受伤甚至死亡。

3. 用无倒角的六角 32 mm 套筒小心地旋松前叉上的顶盖。
4. 向上拉动顶盖组件，将其从前叉叉肩卸下。
5. 水平滑动空气容量垫片，将其安装到顶盖上或从顶盖卸下。

警告

容量垫片的安装数量不得超过您前叉指定的最大数量。否则可能损坏前叉。容量垫片信息请参阅 www.ridefox.com。

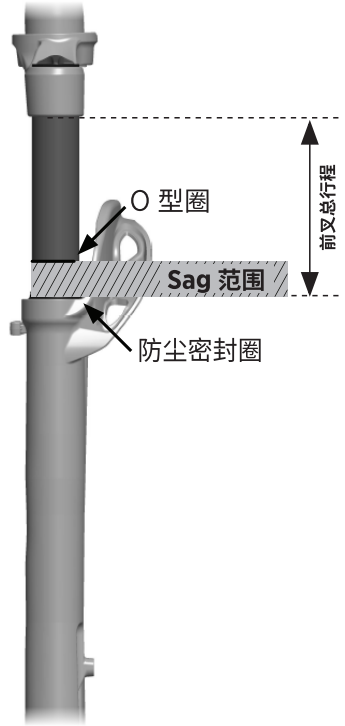
6. 将顶盖组件重新安装到前叉叉肩内，并用无倒角的六角 32 mm 套筒拧紧至 24.8 N•m (220 in-lb)。
7. 用 FOX 高压打气筒将气压增加到您理想的设定值。根据 www.ridefox.com 上的在线说明设置 Sag。

SAG 设置

为取得 FOX 避震器的最佳避震性能，请调整气压以适当设置 Sag。Sag 是指在您体重和骑行装备重量的作用下避震器的压缩量。Sag 范围应设置在前叉总行程的 15-20% 之间。

确保用处于打开模式的压缩阻尼调节器来设置 Sag。

请在 ridefox.com/sagsetup 观看 Sag 设置视频



建议的 Sag 值		
行程	15% Sag (硬)	20% Sag (软)
150 mm (5.5 in)	22 mm (0.9 in)	30 mm (1.2 in)
160 mm (5.9 in)	24 mm (1.0 in)	32 mm (1.3 in)
170 mm (6.7 in)	26 mm (1.0 in)	34 mm (1.3 in)
180 mm (7.0 in)	27 mm (1.0 in)	36 mm (1.4 in)



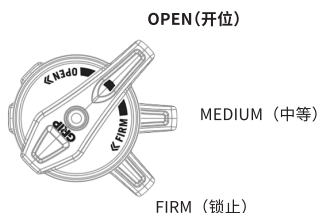
请勿超过最大气压：

38 FLOAT 的最大空气压力为 **120 psi (8.3 bar)**。

建议的 Sag 设置起点	
骑手体重	38 FLOAT / E-Bike+ 气压
120-130 lb (54-59 kg)	72 psi (5.0 bar)
130-140 lb (59-64 kg)	76 psi (5.2 bar)
140-150 lb (64-68 kg)	80 psi (5.5 bar)
150-160 lb (68-73 kg)	84 psi (5.8 bar)
160-170 lb (73-77 kg)	89 psi (6.1 bar)
170-180 lb (77-82 kg)	93 psi (6.4 bar)
180-190 lb (82-86 kg)	97 psi (6.7 bar)
190-200 lb (86-91 kg)	102 psi (7.0 bar)
200-210 lb (91-95 kg)	106 psi (7.3 bar)
210-220 lb (95-100 kg)	110 psi (7.6 bar)
220-230 lb (100-104 kg)	114 psi (7.9 bar)
230-240 lb (104-109 kg)	119 psi (8.2 bar)
240-250 lb (109-113 kg)	123 psi (8.5 bar)

压缩调节

GRIP 压缩调节



3 位 Micro 调节旋钮可用于进行骑行中的即时调节，以控制前叉的性能。使用 OPEN (开位)、MEDIUM (中等) 和 FIRM (锁止) 模式来精细调节压缩阻尼。

GRIP X 压缩调节

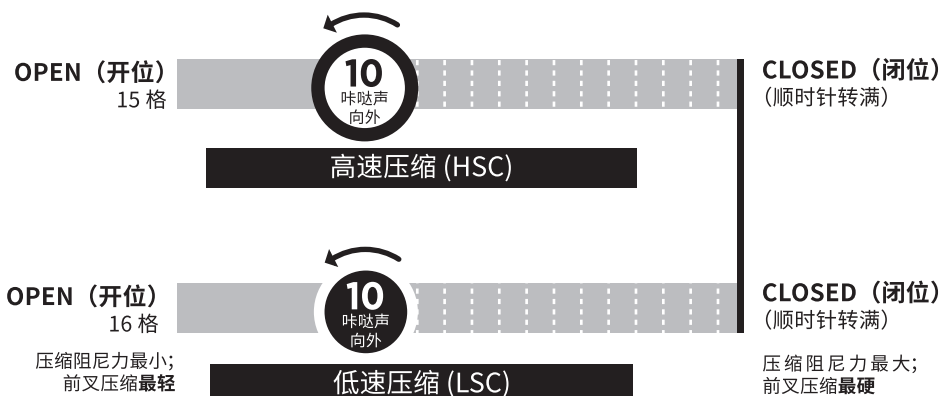
使用此图表作为压缩调节旋钮的调节起点。转动压缩调节旋钮至闭位（顺时针转满），直至转不动。然后逆时针旋转回下面显示的格数。



高速压缩调节用于在较大撞击、着陆和方棱碰撞情况下控制前叉的性能。



低速压缩调节用于在骑行者重量转换、G-outs (突然失重) 和缓慢用力情况下控制前叉的性能。



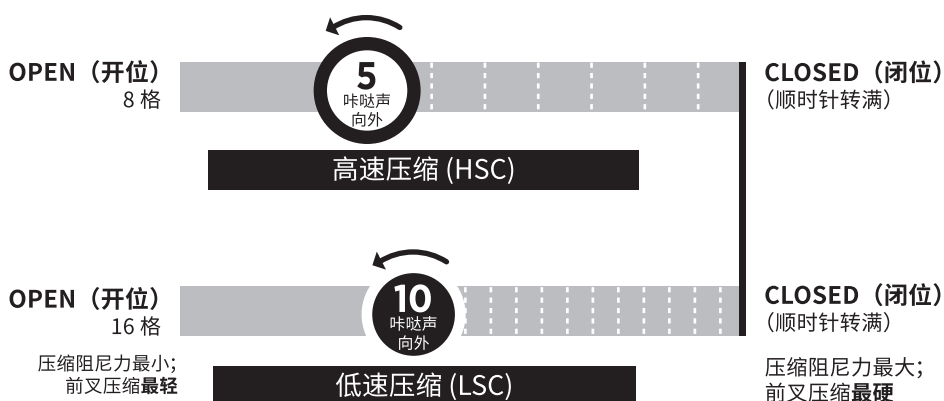
GRIP X2 压缩调节

使用此图表作为压缩调节旋钮的调节起点。**转动压缩调节旋钮至闭位（顺时针转满），直至转不动。然后逆时针旋转回下面显示的格数。**



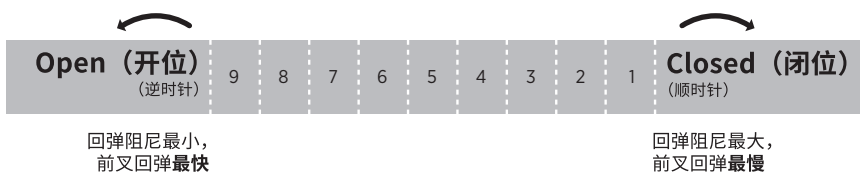
高速压缩调节用于在较大撞击、着陆和方棱碰撞情况下控制前叉的性能。

低速压缩调节用于在骑行者重量转换、G-outs（突然失重）和缓慢用力情况下控制前叉的性能。



回弹调节

回弹能控制前叉在压缩后的伸展速率。回弹调节取决于空气压力的设置。例如，空气压力越高，则要求回弹越慢。根据空气压力确定对应的回弹设置。回弹调节旋钮位于阻尼器侧前叉腿的下方。



GRIP/GRIP X 回弹



顺时针旋转回弹旋钮到关闭位置，直至旋不动。然后逆时针旋转到下一页表格中显示的格数。

GRIP X2 回弹



顺时针旋转回弹旋钮到关闭位置，直至旋不动。然后逆时针旋转到下一页表格中显示的格数。

高速回弹调节用于在较大撞击、着陆和方棱碰撞情况下控制前叉的性能。

低速回弹调节用于在骑行者重量转换、G-outs（突然失重）和缓慢用力情况下控制前叉的性能。

建议的回弹设置起点

气压	回弹设置			
38 FLOAT/ E-Bike+	38 GRIP	38 GRIP X	38 GRIP X2 LSR	38 GRIP X2 HSR
72 psi (5.0 bar)	13	16	9	8
76 psi (5.2 bar)	12	14	8	7
80 psi (5.5 bar)	11	12	7	7
84 psi (5.8 bar)	10	10	7	6
89 psi (6.1 bar)	9	9	7	6
93 psi (6.4 bar)	8	8	7	5
97 psi (6.7 bar)	7	7	6	4
102 psi (7.0 bar)	6	6	5	4
106 psi (7.3 bar)	5	5	4	3
110 psi (7.6 bar)	4	4	3	2
114 psi (7.9 bar)	3	3	3	1
119 psi (8.2 bar)	2	2	2	0
123 psi (8.5 bar)	1	1	1	0

其它调节方式

夹持式容量垫片

更换 38 FLOAT 前叉中的容量垫片是简单的内部调节，能改变中程和触底阻力。

如果您已设定合适的 Sag 并且很容易达到全程（触底），则您可以安装 1 个或多个垫片以增加触底阻力。

如果您已正确设置 Sag 并且从未达到全程，则您可卸下垫片以减少触底阻力。

安装程序和调节方式详见：ridefox.com/ownersmanuals

38 FLOAT 容量垫片配置		
行程	厂方安装的容量垫片	*最大容量垫片数量
180 mm	1	4
170 mm	2	5
160 mm	3	6
150 mm	4	6

38 FLOAT E-Bike+ 容量垫片配置		
行程	厂方安装的容量垫片	*最大容量垫片数量
180 mm	2	4
170 mm	3	5
160 mm	4	6
150 mm	5	6

保养

除定期保养服务外，在骑行间隙适当清洁您的 FOX 产品有助于节省维修费用并延长产品寿命。

如需进一步了解保养步骤方面的信息，请访问 www.ridefox.com/OwnersManuals，或与 FOX 联系以获取全面的保养服务（**1.800.369.7469** 或 mtbservice@ridefox.com）。

建议的基本服务项目	每次骑行前	每次骑行后	定期	每 125 小时骑行或每满一年，以先发生的为准 *
检查前叉 / 避震器的整个外表面。若任何外部零部件有损坏迹象，则前叉 / 避震器不应继续使用。请与您当地的经销商或 FOX 联系维修事宜。	X			
检查快脱杆和轴是否适当调节并拧紧。	X			
检查车头碗组调节。若已松动，则应根据您的自行车厂商的建议予以相应调节。	X			
检查所有刹车线缆或油管是否适当固定。在平地上测试前后刹车的功能是否正常。	X			
仅用温和的肥皂和水清洁外表面，并用柔软的毛巾擦干。请勿使用高压清洗器或直接向密封圈 / 避震器身结合处喷水。		X		
检查 Sag 和阻尼器设置。检查控件是否有肉眼可见的损坏或功能失常。			X	
全面保养（全面内部 / 外部检查、阻尼器重新组装、空气避震器密封圈更换、空气弹簧重新组装、浴油和防尘装置更换）。				X

* 对于那些进行高山速降骑行、山地车公园骑行、或极限自由骑行，或在极度潮湿 / 泥泞或干燥 / 多尘环境中骑行且在路途中有尘土溅喷到前叉上的骑行者，FOX 鼓励其根据实际需要在前述推荐日期前提早进行保养。若您听到、看到或感觉到异常情形，请立即停止骑行并与 FOX 授权维修中心联系以进行适当的保养。

更多信息和视频见：

ridefox.com

Fox Factory, Inc. (一家美国加利福尼亚州的公司, 办公地址位于 915 Disc Dr, Scotts Valley, CA 95066, 简称“Fox”) 对其避震器产品提供以下有限质保:

FOX 有限质保

避震器产品— (1) 年有限质保

受限于本质保所含限制、条款与条件, Fox 向每一新的 Fox 避震产品的最初零售购买者(消费者)保证, Fox 避震产品在全新状态时在材质和工艺上均无瑕疵。本有限质保的有效期为 Fox 原避震产品从 Fox 授权经销商或授权原始设备制造商处(Fox 避震产品作为原始设备配在所购车辆上)零售购买之日起— (1) 年。

质保条款

本有限质保的前提是 Fox 避震产品在正常条件下工作并按照 Fox 的说明进行恰当保养。本有限质保仅适用于从 Fox 授权资源处新购的 Fox 避震产品, 仅向新购的 Fox 避震产品的最初零售购买者(消费者)提供, 不得向后续用户转让。

如果 Fox 根据其唯一的、最终的自由裁量判定某一 Fox 避震产品在本有限质保范围内, 则该产品将由 Fox 全权选择用相当型号的配件修理或更换, 这一选择将是最终的、具有约束性的。这是本有限质保项下的排他性救济。本有限质保项下的任何和所有其他可能适用的救济和损害赔偿均在此排除, 包括但不限于偶然性或后果性的损害赔偿或惩罚性赔偿。

本有限质保不适用于正常磨损以及因滥用、过失、不当安装、更改或改装、不当或未经授权的修理或保养、撞车、事故或碰撞或其他非正常、过度或不当使用而导致的故障或功能失常。

本有限质保给予消费者特定的法定权利。消费者根据适用的全国性法律可能享有的其他法定权利不受本有限质保的影响。如果具有管辖权的法院裁定本有限质保的特定条款不适用, 则此裁定不应影响本有限质保的任何其他条款, 且所有其他条款应仍为有效。

这是 FOX 对其避震产品和部件作出的唯一保证, 在本说明之外无任何其他延伸的保证。法律可能默示的任何其他保证, 包括但不限于关于适销性或特定目的适用性的默示保证, 均在此排除。

本有限质保应排他性地由加利福尼亚州的法律进行管辖。

根据本有限质保提出索赔时, 您需要向 FOX 授权维修中心出具:

1. 产品(或受影响零部件), 及
2. 原始购买凭证的复印件, 清楚标明卖方的名称和地址、购买日期和地点、产品零部件号以及序列号(如果使用了的话)。如果 FOX 产品作为完整自行车的一部分出售, 则应包括自行车品牌、型号、型号年份和序列号。



©FOX FACTORY, INC. 2024 // 1.800.FOX.SHOX
915 DISC DRIVE, SCOTTS VALLEY, CA 95066 USA
TEL: 831.768.1100
605-00-308 REV B

[RIDEFOX.COM](https://www.ridefox.com)